

### Stainless steel

#### TECHNICAL DATA BALL VALVE

Construction:	2-way full bore ball valve
Design:	2-piece design
Connection end:	Flansch acc.to DIN 2501/1-EN 1092-1
Actuator connection:	According to DIN EN ISO 5211 [direct assembly]
Body:	Stainless steel 1.4408
Screw-in ring:	Stainless steel 1.4408
Ball:	Stainless steel 1.4401 with flushing hole
Stem:	Stainless steel 1.4401 blow-out proof
Ball seal:	PTFE TFM1600
Stem seal:	PTFE   EPDM O-ring
Medium temperature:	0°C up to +65°C pressure dependent [90°C for max. 30 Minutes]
Medium nominal pressure:	Max. 10 bar temperature-dependent

#### Approval :

- DIN DVGW TRINKWASSER  
DIN EN 13828 | DVGW W570-1 PN10 bis DN100  
DIN EN 1074-1 | DIN EN 1074-2 PN16 bis DN 150
- SIL nach IEC61508|61518
- EAC nach TR CU 010/2011

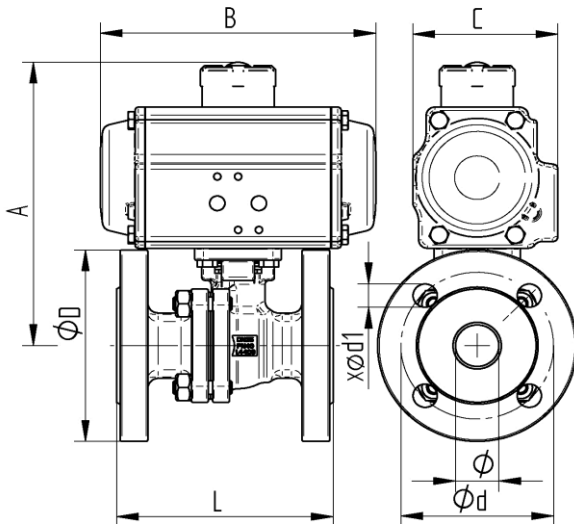


#### TECHNICAL DATA ACTUATOR

##### FR single acting

Design Feature:	Rack and pinion principle
Piston guide:	Self centering in housing
Housing:	Aluminum alloy anodized
Cover end caps:	Aluminum alloy, RAL 5002 blue painted
Seals:	NBR
Pinion:	Steel chemically hard nickel plated
Piston   Rack:	Aluminum alloy
Pivot angle:	90° adjustable F <sub>rom</sub> +5° to -5°
Operating temperature:	-20°C to +80°C
Number of springs:	12 packs each 6 pcs per side
Torque max:	Torque table   Pilot pressure table
Control medium:	Filtered & lubricated air according to Pneurop/ISO Kl. 5
Control pressure:	Rated to 6 bar
Actuator   Valve:	according to DIN ISO 5211
Actuator   Control valve:	according to Namur resp. VDI/VDE 3845
Actuator   Signal devices:	according to Namur resp. VDI/VDE 3845
Position indicator :	optical, mounted in scope of delivery

### Flange connections



Item No.	DN	ø mm	L mm	øD mm	ød mm	ød1 mm	A mm	B mm	C mm
FR010930-04	15	15	115	95	65	4xø14	148	142	72
FR010930-05	20	20	120	105	75	4xø14	153	142	72
FR020930-06	25	25	125	115	85	4xø14	172	162	84
FR030930-07	32	32	130	140	100	4xø18	192	208	96
FR030930-08	40	38	140	150	110	4xø18	207	208	96
FR040930-09	50	50	150	165	125	4xø18	229	246	108
FR050930-10	65	63,5	170	185	145	4xø18	258	266	123
FR060930-11	80	76	180	200	160	8xø18	308	347	151
FR070930-12	100	100	190	220	180	8xø18	373	475	202
FR070930-13	125	125	325	250	210	8xø18	416	475	202
FR080930-14	150	150	350	285	240	8xø22	478	570	232

Measurements, as well as pictures are non-binding. We reserve ourselves changes according to the state of the technology

WESA-Armaturen GmbH \* 73650 Winterbach \*Spanninger Straße 5 \* Telefon: +49 (0) 7181 404-0 · Telefax: +49 (0) 7181 404-33

www.wesa-armaturen.de

e-mail : info@wesa-armaturen.de