

Stainless steel

TECHNICAL DATA BALL VALVE

Construction:	2-way full bore ball valve
Design:	2-piece design
Connection end:	Flange according to DIN 2501/1-EN 1092-1
Flange PN40	DN15-DN65
flange PN16	DN80-DN200
Overall length:	According to EN 558-1 series 27
Body wall thickness:	According to EN 12516-1
Actuator connection:	According to DIN EN ISO 5211 [direct assembly]
Medium temperature:	-20°C to +180°C pressure dependent
Medium nominal pressure:	Max. 40 bar temperature-dependent
Body:	Stainless steel 1.4408
Screw-in ring:	Stainless steel 1.4408
Ball:	Stainless steel 1.4401
Stem:	Stainless steel 1.4401 Blow-out proof
Ball seal:	PTFE TFM1600
Stem seal:	PTFE FKM O-ring

- Approval :**
- ATEX according to 2014/34/EU
 - Antistatic
 - SIL according IEC61508|61518

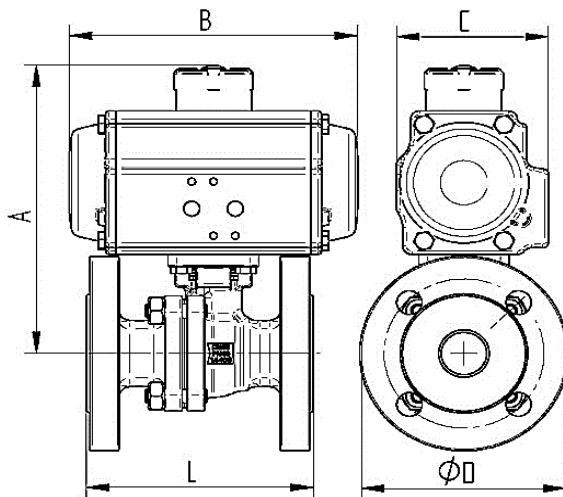
TECHNICAL DATA ACTUATOR

DW double acting

Design Feature:	Rack and pinion principle
Piston guide:	Self centering in housing
Housing:	Aluminum alloy anodized
Cover end caps:	Aluminum alloy, RAL 5002 blue painted
Seals:	NBR
Pinion:	Steel chemically hard nickel plated
Piston Rack:	Aluminum alloy
Pivot angle:	90° adjustable from +5° to -5
Operating temperature:	-20°C to +80°C
Torque max:	Torque table Pilot pressure table
Control medium:	Filtered & lubricated air according to Pneurop/ISO KI. 5
Control pressure:	Rated to 6 bar
Actuator Valve:	according to DIN ISO 5211
Actuator Control valve:	according to Namur resp. VDI/VDE 3845
Actuator Signal devices:	according to Namur resp. VDI/VDE 3845
Position indicator :	optical, mounted in scope of delivery



Flange connections



Item No.	DN	ø mm	A mm	B mm	C mm	L mm	øD mm	ød mm	ød1 mm	Nm
DW020921-04	15	15	148	142	72	115	95	65	4xø14	20
DW020921-05	20	20	153	142	72	120	105	75	4xø14	20
DW020921-06	25	25	159	142	72	125	115	85	4xø14	20
DW030921-07	32	32	184	162	84	130	140	100	4xø18	36
DW030921-08	40	38	189	162	84	140	150	110	4xø18	36
DW040921-09	50	50	216	208	96	150	165	125	4xø18	70
DW040921-10	65	63,5	233	208	96	170	185	145	4xø18	70
DW050921-11	80	76	256	246	108	180	200	160	8xø18	110
DW070921-12	100	100	336	347	151	190	220	180	8xø18	333
DW080921-13	125	125	416	475	202	325	250	210	8xø18	682
DW080921-14	150	150	437	475	202	350	285	240	8xø22	682
DW080921-15	200	200	568	475	202	400	340	295	12xø22	682