

Ductile graphite iron GGG-40

TECHNICAL DATA BALL VALVE

Working temperature :	-10°C up to max. +70°C, pressure dependent
Working pressure:	max. PN 16 bar
Flange connection:	according to DIN 2501/1 - EN 1092-1
Actuator connection:	according to DIN EN ISO 5211
Body material :	ductile graphite iron GGG-40, painted
Ball :	brass MS 58, hard chrome-plated
Ball seals:	PTFE
Stem :	steel-9 SMnPb 36
Stem seals :	PTFE 2 x NBR O-Ring
License :	DIN-DVGW-gas-certification acc. to DIN EN 331
Overall length :	according to EN 558-1 F4
Safety:	anti blow out stem

TECHNICAL DATA ACTUATOR

Functionality :	FR single acting, spring return
Design feature :	control shaft-bevel principle
Piston channel :	self centering in body
Operating temperature :	- 20° C up to + 80 ° C
Angle of rotation :	90 ° from + 5° up to - 5° adjustable
Torque max. :	on request
Control medium :	filtered and oiled blast according Pneurop/ISO categorie 4

Mountig path :

Actuator/Armatur : 4 or 8 female thread in the body according to DIN ISO 5211

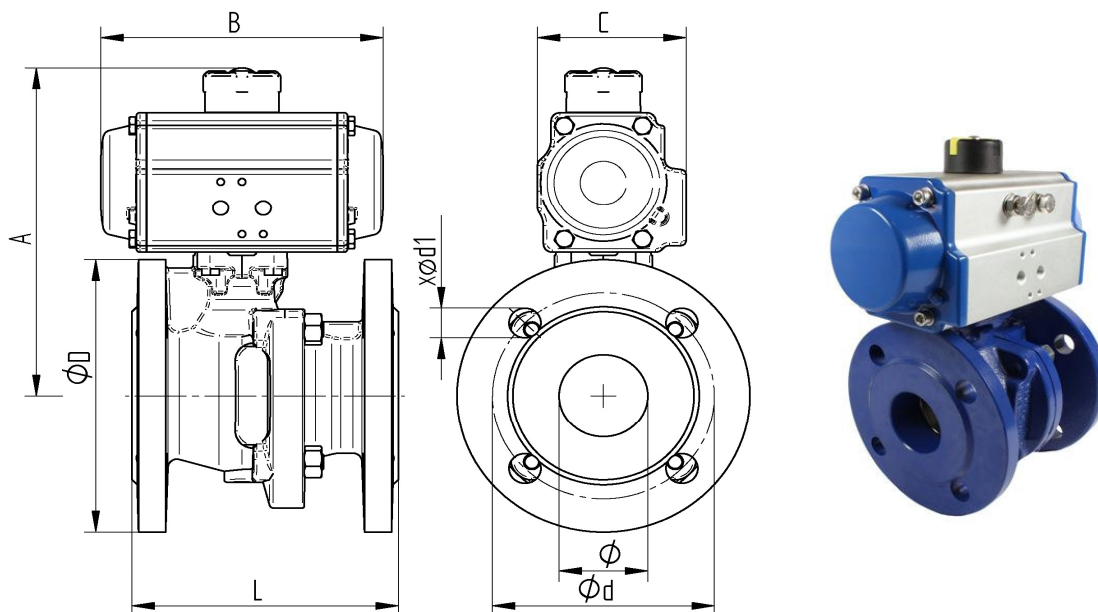
Actuator/Control valve : according to Namur respectively VDI/VDE 3845

Actuator/Signaling device : according to VDI/VDE 3845 (Namur)

Accessories actuator

Position announcement : optically, in the scope of supply mounts

Flangeconnection



Art. Nr.	øDN	ø	L mm	øD mm	ød mm	x ød1	A mm	B mm	C mm
FR030919-05	20	20	120	105	75	4xø14	233	208	96
FR030919-06	25	25	125	115	85	4xø14	240	208	96
FR030919-07	32	32	130	140	100	4xø18	245	208	96
FR030919-08	40	40	140	150	110	4xø18	210	208	96
FR040919-09	50	50	150	165	125	4xø18	231	246	108
FR050919-10	65	63	170	185	145	4xø18	303	266	123
FR060919-11	80	76	180	200	160	8xø18	314	347	151
FR070919-12	100	95	190	220	180	8xø18	433	475	202
FR070919-13	125	120	200	250	210	8xø18	398	475	202
FR080919-14	150	145	210	285	240	8xø22	457	570	232