

Grey cast iron GG25

TECHNICAL DATA BALL VALVE

Working temperature : -10°C up to max. +150°C, pressure dependent
 Working pressure: max. PN 16 bar
 Flange connection: according to DIN 2501/1-EN 1092-1
 with trough hole, except DN125-DN150
 Actuator connection: according to DIN EN ISO 5211
 Body material : gray cast iron GG25, coated
 Case material: gray cast iron GG25, coated
 Ball: stainless steel, AISI 304
 Ball seals: PTFE
 Stem : steel-9 SMnPb 36
 Stem seals : PTFE|HNBR O-Ring
 Overall length : according to EN 558-1 F4

TECHNICAL DATA ACTUATOR

Functionality : DW double acting
 Design feature : control shaft-bevel principle
 Piston channel : self centering in body
 Operating temperature : - 20° C up to + 80 ° C
 Angle of rotation : 90 ° from + 5° up to - 5° adjustable
 Torque max. : see chart (Nm) at 6 bars compressed air
 Control medium : filtered and oiled blast according Pneurop/ISO categorie 4

Mountig path :

Actuator/Armatur : 4 or 8 female thread in the body according to DIN ISO 5211

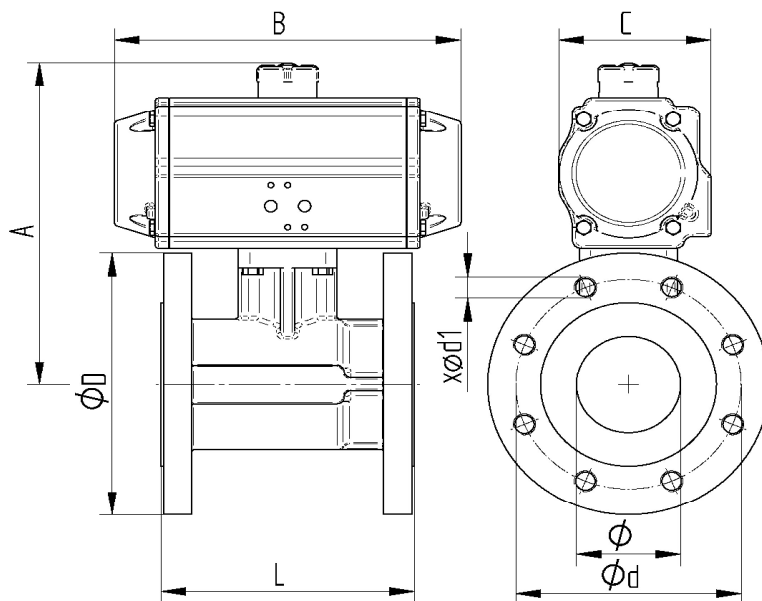
Actuator/Control valve : according to Namur respectively VDI/VDE 3845

Actuator/Signaling device : according to VDI/VDE 3845 (Namur)

Accessories actuator

Position announcement : optically, in the scope of supply mounts

Flangeconnection



| Art. Nr. | DN | Nm | ø | A mm | B mm | C mm | L mm | øD mm | ød mm | x ød1 |
|-------------|-----|-----|-----|------|------|------|------|-------|-------|-------|
| DW030910-06 | 25 | 36 | 25 | 214 | 162 | 84 | 125 | 115 | 85 | 4xø14 |
| DW030910-07 | 32 | 36 | 32 | 218 | 162 | 84 | 130 | 140 | 100 | 4xø18 |
| DW040910-08 | 40 | 70 | 40 | 246 | 208 | 96 | 140 | 150 | 110 | 4xø18 |
| DW040910-09 | 50 | 70 | 50 | 253 | 208 | 96 | 150 | 165 | 125 | 4xø18 |
| DW040910-10 | 65 | 70 | 61 | 224 | 208 | 96 | 170 | 185 | 145 | 4xø18 |
| DW050910-11 | 80 | 110 | 74 | 247 | 246 | 108 | 180 | 200 | 160 | 8xø18 |
| DW060910-12 | 100 | 160 | 95 | 272 | 266 | 123 | 190 | 220 | 180 | 8xø18 |
| DW070910-13 | 125 | 333 | 120 | 374 | 347 | 151 | 200 | 250 | 210 | 8xM16 |
| DW070910-14 | 150 | 333 | 145 | 368 | 347 | 151 | 210 | 285 | 240 | 8xM20 |