

Grey cast iron GG25

TECHNICAL DATA BALL VALVE

Working temperature :	-10°C up to max. +150°C, pressure dependent
Working pressure:	max. PN 16 bar
Flange connection:	according to UNI EN 1092-1 with trough hole, except DN125-DN150
Actuator connection:	according to DIN EN ISO 5211
Body material :	gray cast iron GG25, coated
Case material:	gray cast iron GG25, coated
Ball:	brass MS 58, hard chrome-plated
Ball seals:	PTFE
Stem :	steel-9 SMnPb 36
Stem seals :	PTFE HNBR O-Ring
Overall length :	according to EN 558-1 F4

TECHNICAL DATA ACTUATOR

Functionality :	FR single acting, spring return
Design feature :	control shaft-bevel principle
Piston channel :	self centering in body
Operating temperature :	- 20° C up to + 80 ° C
Angle of rotation :	90 ° from + 5° up to - 5° adjustable
Torque max. :	on request
Control medium :	filtered and oiled blast according Pneurop/ISO categorie 4

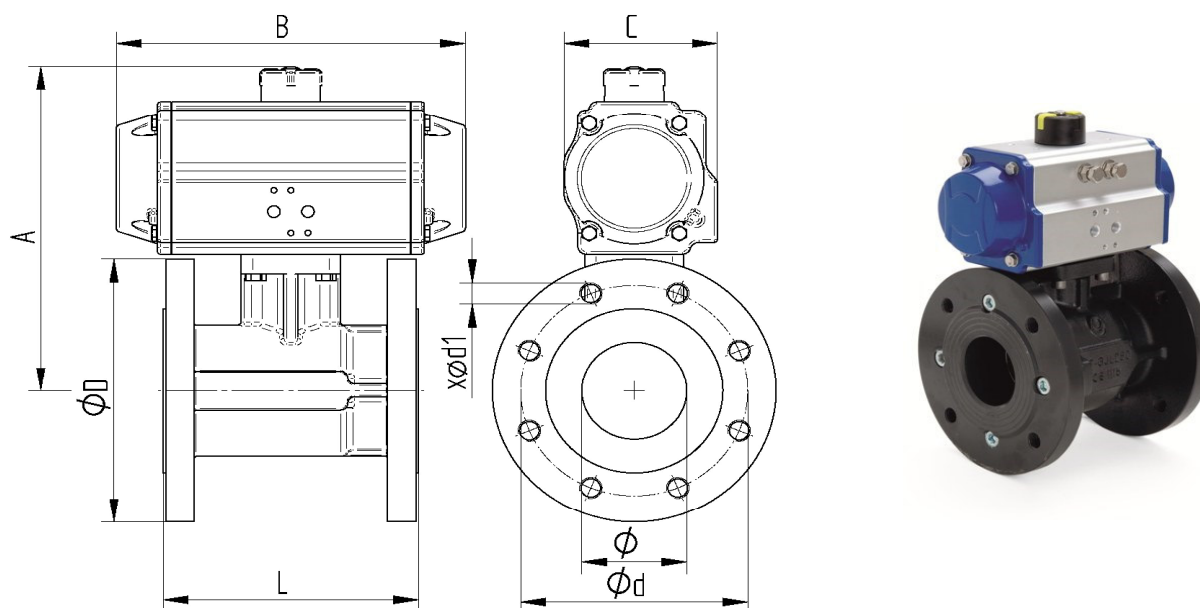
Mountig path :

Actuator/Armatur :	4 or 8 female thread in the body according to DIN ISO 5211
Actuator/Control valve :	according to Namur respectively VDI/VDE 3845
Actuator/Signaling device :	according to VDI/VDE 3845 (Namur)

Accessories actuator

Position announcement :	optically, in the scope of supply mounts
-------------------------	--

Flangeconnection



Art. Nr.	DN	ø	L mm	øD mm	ød mm	x ød1	A mm	B mm	C mm
FR030909-06	25	25	125	115	85	4xø14	232	208	96
FR040909-07	32	32	130	140	100	4xø18	249	246	108
FR040909-08	40	40	140	150	110	4xø18	259	246	108
FR050909-09	50	50	150	165	125	4xø18	278	266	123
FR050909-10	65	61	170	185	145	4xø18	249	266	123
FR060909-11	80	74	180	200	160	8xø18	299	347	151
FR070909-12	100	95	190	220	180	8xø18	349	475	202
FR070909-13	125	120	200	250	210	8xM16	384	475	202
FR070909-14	150	145	210	285	240	8xM20	405	475	202