

Grey cast iron GG25

TECHNICAL DATA BALL VALVE

Working temperature :	-10°C up to max. +150°C, pressure dependent
Working pressure:	max. PN 16 bar
Flange connection:	according to DIN 2501/1-EN 1092-1 with trough hole, except DN125-DN150
Actuator connection:	according to DIN EN ISO 5211
Body material :	gray cast iron GG25, coated
Case material:	gray cast iron GG25, coated
Ball:	brass MS 58, hard chrome-plated
Ball seals:	PTFE
Stem :	steel-9 SMnPb 36
Stem seals :	PTFE HNBR O-Ring
Overall length :	according to EN 558-1 F4

TECHNICAL DATA ACTUATOR

Funktionalität :	DW double acting
Design feature :	control shaft-bevel principle
Piston channel :	self centering in body
Operating temperature :	- 20 ° C up to + 80 ° C
Angle of rotation :	90 ° from + 5° up to - 5° adjustable
Torque max. :	see chart (Nm) at 6 bars compressed air
Control medium :	filtered and oiled blast according Pneurol/ISO categorie 4

Mounting path :

Actuator/Armatur : 4 or 8 female thread in the body according to DIN ISO 5211

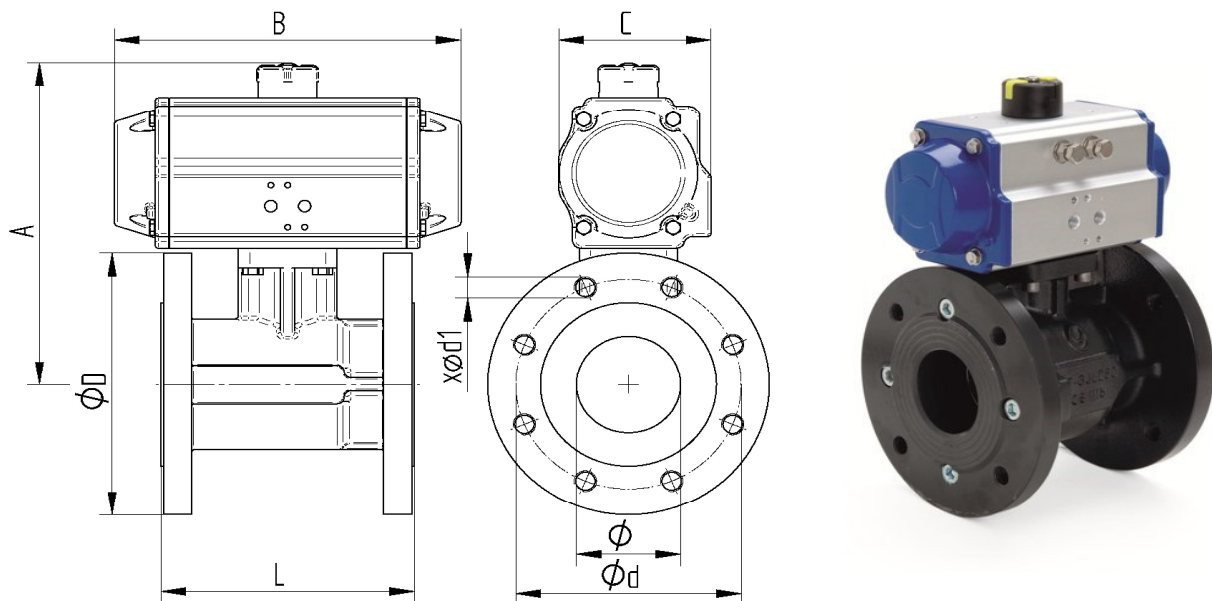
Actuator/Control valve : according to Namur respectively VDI/VDE 3845

Actuator/Signaling device : according to VDI/VDE 3845 (Namur)

Accessories actuator

Position announcement : optically, in the scope of supply mounts

Flangeconnection



Art. Nr.	DN	Nm	ø	A mm	B mm	C mm	L mm	øD mm	ød mm	x ød1
DW030909-06	25	36	25	214	162	84	125	115	85	4xø14
DW030909-07	32	36	32	218	162	84	130	140	100	4xø18
DW040909-08	40	70	40	246	208	96	140	150	110	4xø18
DW040909-09	50	70	50	253	208	96	150	165	125	4xø18
DW040909-10	65	70	61	224	208	96	170	185	145	4xø18
DW050909-11	80	110	74	247	246	108	180	200	160	8xø18
DW060909-12	100	160	95	272	266	123	190	220	180	8xø18
DW070909-13	125	333	120	374	347	151	200	250	210	8xM16
DW070909-14	150	333	145	368	347	151	210	285	240	8xM20