

Stainless steel

TECHNICAL DATA BALL VALVE

Construction:	2-way full bore ball valve
Design:	3-piece design
Connection end:	BW Butt welded
Overall length:	DIN 3202 S13
Actuator connection:	According to DIN EN ISO 5211 [direct assembly]
Medium temperature:	-20°C to +180°C pressure dependent
Medium nominal pressure:	Max. 63 bar temperature-dependent
Body:	Stainless steel 1.4408
Screw-in ring:	Stainless steel 1.4408
Ball:	Stainless steel 1.4401
Stem:	Stainless steel 1.4401 Blow-out proof
Ball seal:	PTFE TFM1600
Stem seal:	PTFE FKM O-ring

Approval :

<input type="checkbox"/>	ATEX according to 2014/34/EU
<input type="checkbox"/>	Antistatic
<input type="checkbox"/>	SIL according IEC61508 61518

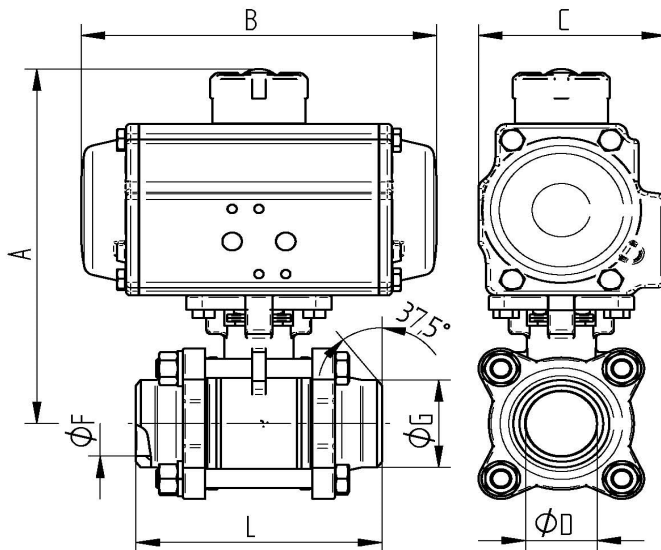


SIL
IEC 61508

TECHNICAL DATA ACTUATOR

DW double acting

Design Feature:	Rack and pinion principle
Piston guide:	Self centering in housing
Housing:	Aluminum alloy anodized
Cover end caps:	Aluminum alloy, RAL 5002 blue painted
Seals:	NBR
Pinion:	Steel chemically hard nickel plated
Piston Rack:	Aluminum alloy
Pivot angle:	90° adjustable from +5° to -5
Operating temperature:	-20°C to +80°C
Torque max:	Torque table Pilot pressure table
Control medium:	Filtered & lubricated air according to Pneurop/ISO Kl. 5
Control pressure:	Rated to 6 bar
Actuator Valve:	according to DIN ISO 5211
Actuator Control valve:	according to Namur resp. VDI/VDE 3845
Actuator Signal devices:	according to Namur resp. VDI/VDE 3845
Position indicator :	optical, mounted in scope of delivery



Item No.	DN	øD mm	L mm	øF mm	øG mm	A mm	B mm	C mm	Nm
DW019325-02	10	9,3	70	10,6	18	118	125	54	9
DW019325-03	12	12,7	70	12,7	18	118	125	54	9
DW019325-04	15	15,8	75	15,8	22	118	125	54	9
DW019325-05	20	20,9	90	20,9	28	159	125	54	9
DW029325-06	25	26,7	100	26,7	34	158,5	142	72	20
DW029325-07	32	35,1	110	35,1	43	163	142	72	20
DW039325-08	40	40,9	125	40,9	50	184	162	84	36
DW049325-09	50	52,5	150	52,5	61	209	208	96	70
DW049325-10	65	62,7	190	62,7	76	231	208	96	70
DW059325-11	80	78	220	78	92	252	246	108	110
DW079325-12	100	102,4	270	102,4	115	327	347	151	333