

Stainless steel

TECHNICAL DATA BALL VALVE

Construction:	2-way full bore ball valve
Design:	3-piece design
Connection end:	Internal thread according to DIN EN ISO 228-1
Overall length:	According to DIN 3202 M3
Actuator connection:	According to DIN EN ISO 5211 [direct assembly]
Medium temperature:	-20°C to +180°C pressure dependent
Medium nominal pressure:	Max. 63 bar temperature-dependent
Body:	Stainless steel 1.4408
Screw-in ring:	Stainless steel 1.4408
Ball:	Stainless steel 1.4401
Stem:	Stainless steel 1.4401 Blow-out proof
Ball seal:	PTFE TFM1600
Stem seal:	PTFE FKM O-ring

Approval :

<input type="checkbox"/>	ATEX according to 2014/34/EU
<input type="checkbox"/>	Antistatic
<input type="checkbox"/>	SIL according IEC61508 61518

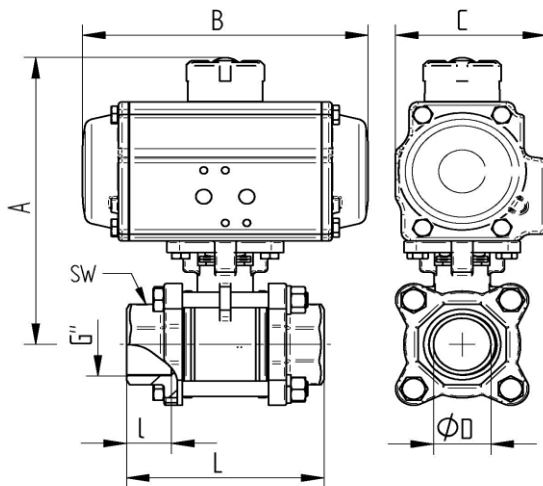


TECHNICAL DATA ACTUATOR

DW double acting

Design Feature:	Rack and pinion principle
Piston guide:	Self centering in housing
Housing:	Aluminum alloy anodized
Cover end caps:	Aluminum alloy, RAL 5002 blue painted
Seals:	NBR
Pinion:	Steel chemically hard nickel plated
Piston Rack:	Aluminum alloy
Pivot angle:	90° adjustable from +5° to -5°
Operating temperature:	-20°C to +80°C
Torque max:	Torque table Pilot pressure table
Control medium:	Filtered & lubricated air according to Pneurop/ISO Kl. 5
Control pressure:	Rated to 6 bar
Actuator Valve:	according to DIN ISO 5211
Actuator Control valve:	according to Namur resp. VDI/VDE 3845
Actuator Signal devices:	according to Namur resp. VDI/VDE 3845
Position indicator :	optical, mounted in scope of delivery

Connecting thread female/female



Item No.	G	DN	ø D mm	L mm	l mm	SW mm	A mm	B mm	C mm	DW Nm
DW019323-02	1/4"	10	9,3	75	17	28	118	125	54	9
DW019323-03	3/8"	12	12,7	75	17	28	118	125	54	9
DW019323-04	1/2"	15	15	75	17	28	118	125	54	9
DW019323-05	3/4"	20	20	80	18	35	159	125	54	9
DW029323-06	1"	25	25	90	22	42	158,5	142	72	20
DW029323-07	1 1/4"	32	32	110	23	52	163	142	72	20
DW039323-08	1 1/2"	40	38	120	25	59	184	162	84	36
DW049323-09	2"	50	50	140	26	72	209	208	96	70
DW049323-10	2 1/2"	65	63,5	185	35	87	231	208	96	70
DW059323-11	3"	80	76	205	35	102	252	246	108	110
DW079323-12	4"	100	100	240	38	132	327	347	151	333