

Stainless steel

TECHNICAL DATA BALL VALVE

Construction:	2-way full bore ball valve
Design:	2-piece design
Connection end:	Threaded ends acc.to DIN EN ISO 228-1
Actuator connection:	According to DIN EN ISO 5211 [direct assembly]
Body:	Stainless steel 1.4408
Screw-in ring:	Stainless steel 1.4408
Ball:	Stainless steel 1.4401
Stem:	Stainless steel 1.4401 blow-out proof
Ball seal:	PTFE TFM1600
Stem seal:	PTFE FKM O-ring
Medium temperature:	-20°C up to +180°C pressure dependent
Medium nominal pressure:	Max. 63 bar temperature-dependent

Approval :

<input type="checkbox"/>	ATEX acc.to 2014/34/EU
<input type="checkbox"/>	Antistatic
<input type="checkbox"/>	SIL acc.to IEC61508 61518

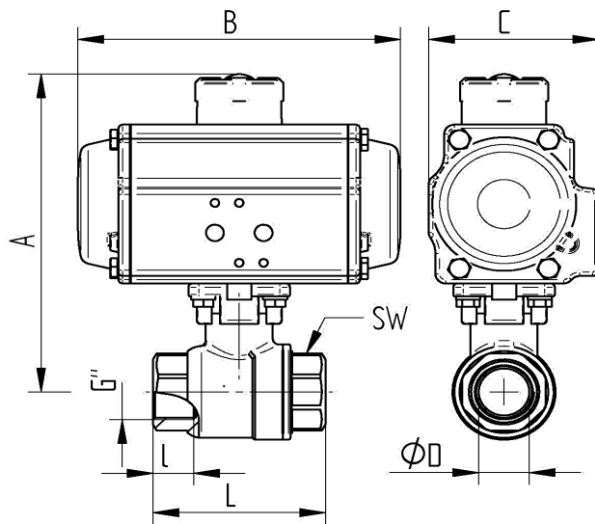


TECHNICAL DATA ACTUATOR

FR single acting

Design Feature:	Rack and pinion principle
Piston guide:	Self centering in housing
Housing:	Aluminum alloy anodized
Cover end caps:	Aluminum alloy, RAL 5002 blue painted
Seals:	NBR
Pinion:	Steel chemically hard nickel plated
Piston Rack:	Aluminum alloy
Pivot angle:	90° adjustable FRom +5° to -5°
Operating temperature:	-20°C to +80°C
Number of springs:	12 packs each 6 pcs per side
Torque max:	Torque table Pilot pressure table
Control medium:	Filtered & lubricated air according to Pneurop/ISO Kl. 5
Control pressure:	Rated to 6 bar
Actuator Valve:	according to DIN ISO 5211
Actuator Control valve:	according to Namur resp. VDI/VDE 3845
Actuator Signal devices:	according to Namur resp. VDI/VDE 3845
Position indicator :	optical, mounted in scope of delivery

Connecting thread female/female



Item No.	G"	DN	øD mm	L mm	l mm	SW mm	A mm	B mm	C mm	Torque 0° 90°	
FR019650-02	1/4"	10	10,6	67	12	27	142	142	72	12	8
FR019650-03	3/8"	12	12,7	67	11	27	142	142	72	12	8
FR019650-04	1/2"	15	15	67	15	27	142	142	72	12	8
FR019650-05	3/4"	20	20	70,4	17	32	149	142	72	12	8
FR029650-06	1"	25	25	85	19	41	171	162	84	22	15
FR039650-07	1 1/4"	32	32	94	20	50	194	208	96	43	28
FR039650-08	1 1/2"	40	38	105	22	56	202	208	96	43	28
FR049650-09	2"	50	50	125	22	70	222	246	108	66	40
FR059650-10	2 1/2"	65	63,5	155	31	83	258	266	123	99	65
FR069650-11	3"	80	76	173	31	102	305	347	151	206	135