

Brass

TECHNICAL DATA BALL VALVE

temperature range : -20°C up to +130°C, pressure-dependent
 pressure range : max. PN 63 bar
 connecting thread : Female thread to DIN 2999 (DIN EN 10226)
 body material : Hot pressed brass, nickel plated-CW 617 N
 ball : Hot pressed brass, chromed-CW 617 N
 with self-cleaning system
 ball seals : PTFE
 stem : Hot pressed brass-CW 617 N
 stem seals : PTFE
 handle: aluminium, green painted

Licensing: according to DIN-DVGW W570
 for drinking water EN 13828



TECHNICAL DATA ACTUATOR

Funktionalität : FR single acting, spring return
 Design feature : control shaft-bevel principle
 Piston channel : self centering in body
 Operating temperature : - 20° C up to + 80 ° C
 Angle of rotation : 90 ° from + 5° up to - 5° adjustable
 Torque max. : see chart (Nm) at 5,6 bars compressed air
 Control medium : filtered and oiled blast according
 Pneurop/ISO categorie 4

Mountig path :

Actuator/Armatur : 4 or 8 female thread in the body
 according to DIN ISO 5211

Actuator/Control valve : according to Namur respectively
 VDI/VDE 3845

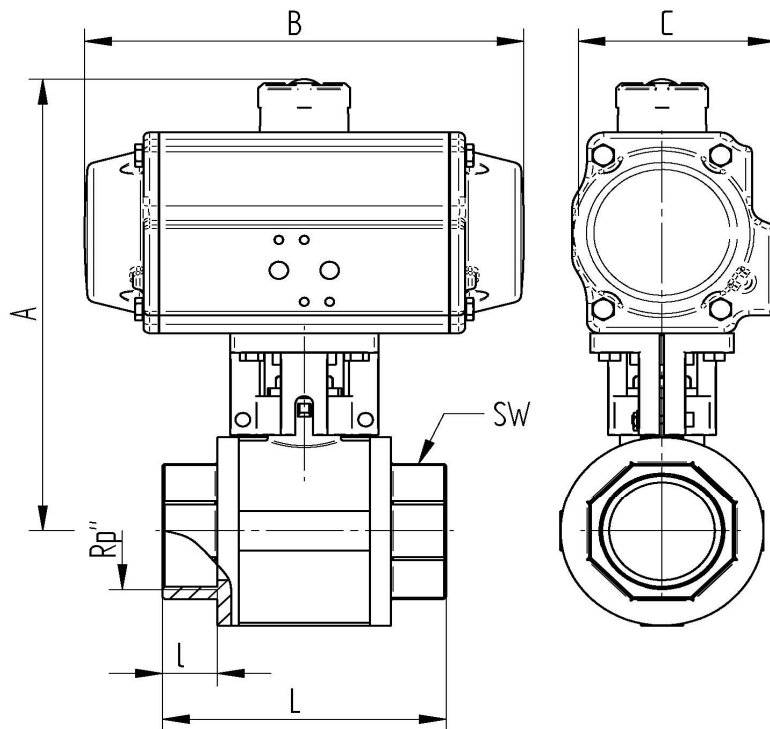
Actuator/Signaling
 device :

according to VDI/VDE 3845 (Namur)

Accesories actuator

Position announcement : optically, in the scope of supply mounts

Connecting thread female/female



Art. Nr.	Rp"	DN	L mm	l mm	SW mm	A mm	B mm	C mm
FR010852-03	3/8"	10	55	12	22	149	142	72
FR010852-04	1/2"	15	69	14	27	152	142	72
FR020852-05	3/4"	20	16	77	33	177	162	84
FR020852-06	1"	25	89	19	40	181	162	84
FR030852-07	1 1/4"	32	103	22	50	212	208	96
FR030852-08	1 1/2"	40	114	22	55	213	208	96
FR040852-09	2"	50	134	26	69	244	246	108