

### Brass

#### TECHNICAL DATA BALL VALVE

temperature range :	-20°C up to +130°C, pressure-dependent
temperature water:	0°C up to max. + 65°C
pressure range :	max. PN 63 bar, compressed air max. 20 bar
	<b>drinking water PN10</b>
vacuum-tight:	0,01 mbar
body material :	Hot pressed brass, nickel plated-CW 617 N
ball :	Hot pressed brass, chromed-CW 617 N with self-cleaning system
ball seals :	PTFE
stem :	Hot pressed brass-CW 617 N
stem seals :	PTFE

**Licensing:** DIN-DVGW-permissance for drinking water  
according to DIN EN 13828 and W570



#### TECHNICAL DATA ACTUATOR

Funktionalität :	DW double acting
Design feature :	control shaft-bevel principle
Piston channel :	self centering in body
Operating temperature :	- 20° C up to + 80 ° C
Angle of rotation :	90 ° from + 5° up to - 5° adjustable
Torque max. :	see chart (Nm) at 6 bars compressed air
Control medium :	filtered and oiled blast according Pneurop/ISO categorie 4

#### Mountig path :

Actuator/Armatur : 4 or 8 female thread in the body  
according to DIN ISO 5211

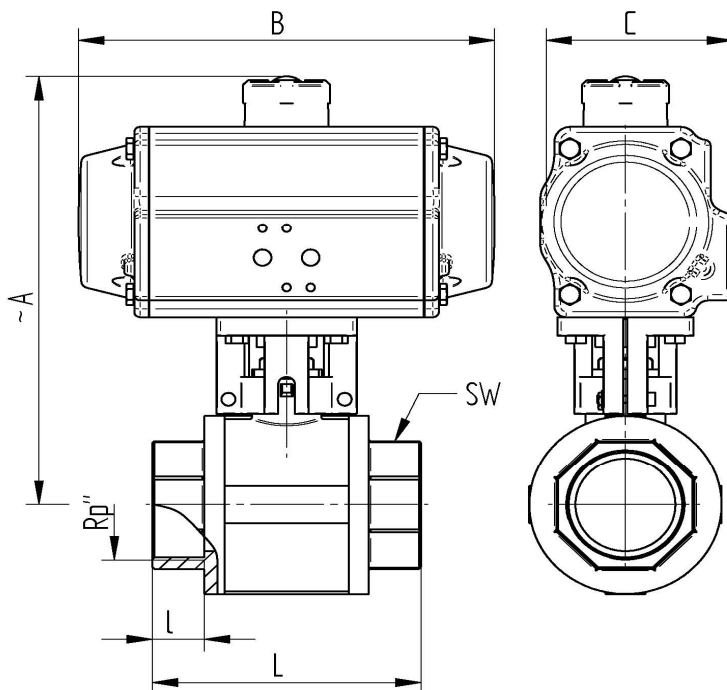
Actuator/Control valve : according to Namur respectively  
VDI/VDE 3845

Actuator/Signaling  
device : according to VDI/VDE 3845 (Namur)

#### Accessories actuator

Position announcement : optically, in the scope of supply mounts

### Connecting thread female/female



Art. Nr.	Rp"	DN	A mm	B mm	C mm	L mm	l mm	SW mm	Nm
DW010852-03	3/8"	10	125	125	54	55	12	22	9
DW010852-04	1/2"	15	128	125	54	69	14	27	9
DW020852-05	3/4"	20	164	142	72	77	16	33	20
DW020852-06	1"	25	168	142	72	89	19	41	20
DW030852-07	1 1/4"	32	195	162	84	103	22	50	36
DW030852-08	1 1/2"	40	201	162	84	114	22	55	36
DW040852-09	2"	50	235	208	96	134	26	69	70