

### Brass

#### TECHNICAL DATA BALL VALVE:

temperature range :	- 20°C up to max. + 120°C, pressure dependent
pressure range :	max. PN 40 bar
connecting thread :	DIN 2999 - ISO 7/1 Rp ( 4") DIN EN ISO 228-1 (1/4" - 3")
actuator connection :	according to DIN EN ISO 5211
body material	hot pressed brass, nickel plated-CW 617 N
ball :	hot pressed brass, chrome plated-CW 617 N
ball seals :	PTFE - NBR
stem :	hot pressed brass-CW 614 N
stem seals :	POM / HNBR

#### TECHNICAL DATA ACTUATOR

Funktionalität :	FR single acting, spring return
Design feature :	control shaft-bevel principle
Piston channel :	self centering in body
Operating temperature :	-20° C up to +80° C
Angle of rotation :	90° from + 5° up to - 5° adjustable
Torque max. :	on request
Control medium :	filtered and oiled blast according Pneurop/ISO categorie 4

#### Mountig path :

Actuator/Armatur : 4 or 8 female thread in the body according to DIN ISO 5211

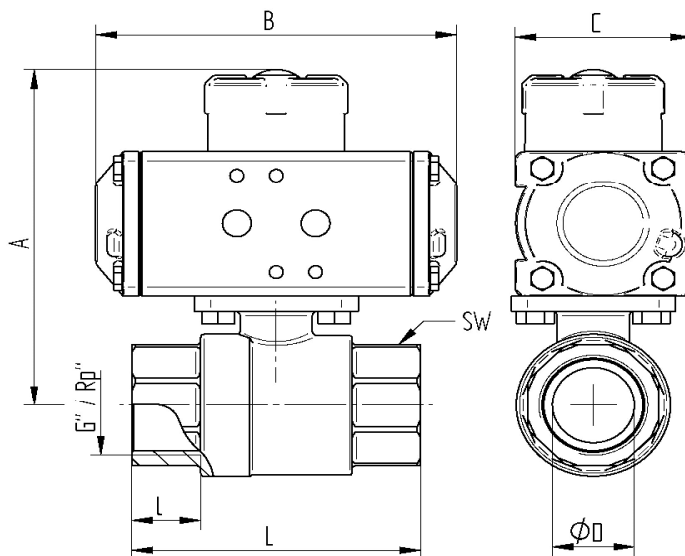
Actuator/Control valve : according to Namur respectively VDI/VDE 3845

Actuator/Signaling device : according to VDI/VDE 3845 (Namur)

#### Accessories actuator

Position announcement : optically, in the scope of supply mounts

### Connecting thread female/female



Art. Nr.	G"(Rp")	øD mm	L mm	I mm	SW mm	A mm	B mm	C mm
FR010767-02	G 1/4"	10	67	11	27	132,5	142	72
FR010767-03	G 3/8"	12	69	11	25	130,5	142	72
FR010767-04	G 1/2"	15	64	17	26	129	142	72
FR010767-05	G 3/4"	20	76	19	32	132	142	72
FR010767-06	G 1"	25	88	21	40	136	142	72
FR020767-07	G 1 1/4"	32	96	22	50	154	162	84
FR030767-08	G 1 1/2"	40	103	22	54	188	208	96
FR030767-09	G 2"	50	121	25	70	195	208	96
FR030767-10	G 2 1/2"	63	165	34	85	221	208	96
FR040767-11	G 3"	78	188	37	100	244	246	108
FR060767-12	Rp 4"	100	225	39	130	313	347	151

05/2020