

Brass

TECHNICAL DATA BALL VALVE

temperature range :	- 20°C up to max. + 120°C, pressure dependent
pressure range :	max. PN 40 bar
connecting thread :	DIN 2999 - ISO 7/1 Rp (4") DIN EN ISO 228-1 (1/4" - 3")
actuator connection :	according to DIN EN ISO 5211
body material	CW 617 N, nickel plated
ball :	CW 617 N, chrome plated
ball seals :	PTFE / Viton
stem :	CW 614 N
stem seals :	PTFE / Viton

TECHNICAL DATA ACTUATOR

Funktionalität :	DW double acting
Design feature :	control shaft-bevel principle
Piston channel :	self centering in body
Operating temperature :	-20° C up to +80° C
Angle of rotation :	90 ° from + 5° up to - 5° adjustable
Torque max. :	see chart (Nm) at 6 bars compressed air
Control medium :	filtered and oiled blast according Pneurop/ISO categorie 4

Mounting path :

Actuator/Armatur : 4 or 8 female thread in the body according to DIN ISO 5211

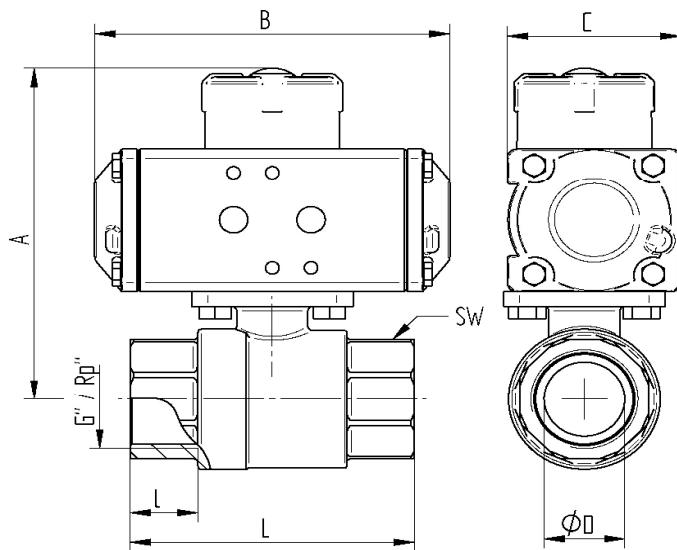
Actuator/Control valve : according to Namur respectively VDI/VDE 3845

Actuator/Signaling device : according to VDI/VDE 3845 (Namur)

Accessories actuator

Position announcement : optically, in the scope of supply mounts

Connecting thread female/female



Art. Nr.	G"(Rp")	øD	A mm	B mm	C mm	L mm	I mm	SW mm	Nm
DW010767-02	G 1/4"	10	109	125	54	67	11	27	9
DW010767-03	G 3/8"	12	107	125	54	69	11	25	9
DW010767-04	G 1/2"	15	105	125	54	64	17	26	9
DW010767-05	G 3/4"	20	108	125	54	76	19	32	9
DW010767-06	G 1"	25	112	125	54	88	21	40	9
DW020767-07	G 1 1/4"	32	141	142	72	96	22	50	20
DW020767-08	G 1 1/2"	40	157	142	72	103	22	54	20
DW020767-09	G 2"	50	164	142	72	121	25	70	20
DW030767-10	G 2 1/2"	63	203	162	84	165	34	85	36
DW040767-11	G 3"	78	231	208	96	188	37	100	70
DW050767-12	Rp 4"	100	260	246	108	225	39	130	110