

Automation with electric actuator

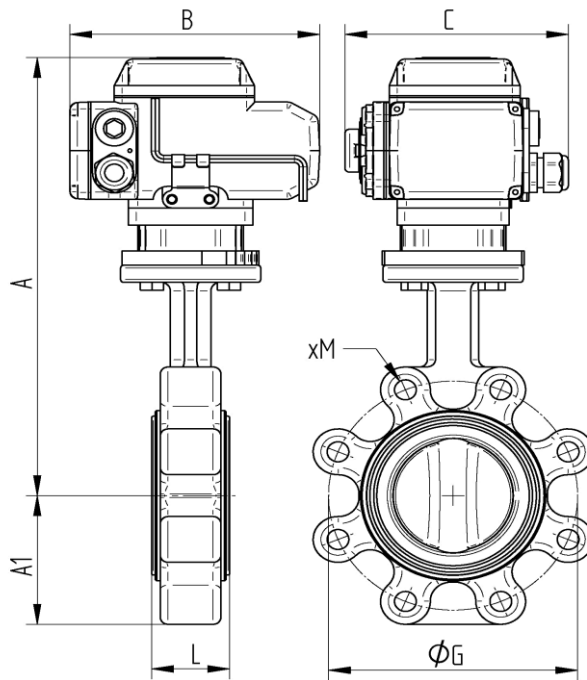
Technical data butterfly valve

Body:	Spheroid ductile iron GGG40 blue RAL5002 coated
Disc:	Stainless steel 1.4408
Seat:	Resilient seated [see the table]
Shaft:	Stainless steel 1.4021
Shaft sealing:	PTFE+NBR O-Ring
Overall length:	Acc.to DIN EN 558-1
Actuator connection:	Acc.to DIN ISO 5211
Flange connection:	Acc.to UNI EN 1092, PN06 - PN10 - PN16
Medium temperature:	Seat dependent [see the table]
Pressure rating:	Max. 16 bar temperature dependent

Article No.	Seat	Temperature
5200	EPDM-H	-10°C up to +110°C
5210	NBR	-10°C up to +90°C
5220	FKM	-10°C up to +150°C

Technical data electric actuator

Control voltage:	230V AC 50 60 Hz 24V DC
Mode of operation:	*OPEN* *CLOSE*
Turning angle:	0°-90°
Protection class:	IP 67
Operating temperature:	- 25° C up to +55° C
2 Limit switches:	For 90° rotation
2 Limit switches:	For the feedback *OPEN* *CLOSE*
Screw connection:	1 M20 for the voltage supply 1 M20 for the position feedback signal
Actuator connection:	Acc.to DIN ISO 5211
Position indicator:	visual display
Manual override:	Allen key
Housing cover:	Aluminium alloy grey coated



Article No. 230V 50 Hz.	Article No. 24V DC	DN	A mm	B mm	C mm	A1 mm	L mm	øG mm	xM	AE(Nm)	S(Sec)
AE065200/5210/5220-08	AE075200/5210/5220-08	40	270	160	140	70	33	110	4x M16	50	25
AE065200/5210/5220-09	AE075200/5210/5220-09	50	278	160	140	61	43	125	4x M16	50	25
AE065200/5210/5220-10	AE075200/5210/5220-10	65	290	160	140	72	46	145	4x M16	50	25
AE065200/5210/5220-11	AE075200/5210/5220-11	80	298	160	140	87	46	160	8x M16	50	25
AE095200/5210/5220-12	AE105200/5210/5220-12	100	344	197	145	106	52	180	8x M16	100	30
AE095200/5210/5220-13	AE105200/5210/5220-13	125	359	197	145	123	56	210	8x M16	100	30
AE115200/5210/5220-14	AE125200/5210/5220-14	150	410	255	182	137	56	240	8x M20	200	30
AE115200/5210/5220-15	AE125200/5210/5220-15	200	453	255	182	174	60	295	12x M20	200	30
AE135200/5210/5220-16	AE145200/5210/5220-16	250	486	255	182	209	68	350	12x M24	400	30
AE155200/5210/5220-17	AE165200/5210/5220-17	300	530	255	182	253	78	400	12x M24	600	45