

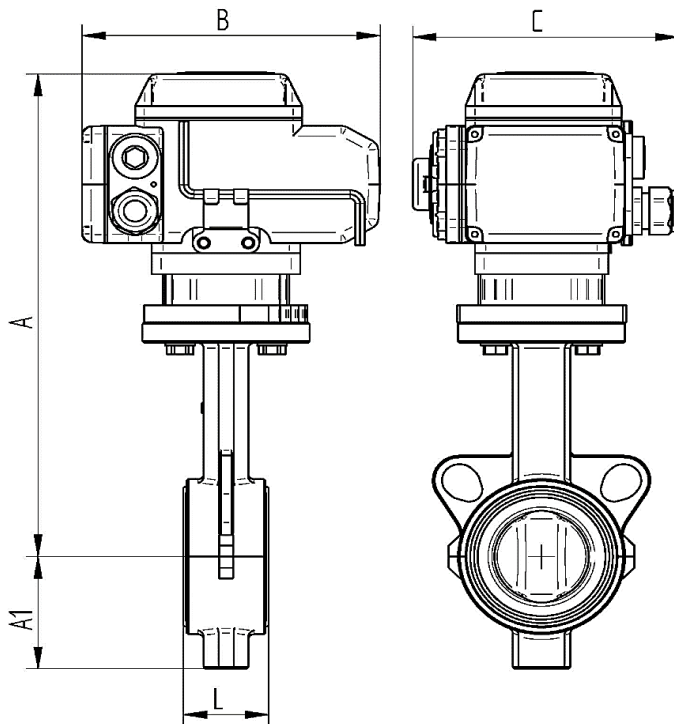
## Automation with electric actuator

### Technical data butterfly valve

Body:	Spheroid ductile iron GGG40 blue RAL5002 coated
Design:	Split body
Disc:	Stainless steel 1.4408
Seat:	PTFE+FKM
Shaft:	Stainless steel 1.4034
Shaft sealing:	PTFE+FKM O-Ring
Overall length:	Acc.to DIN EN 558-1
Actuator connection:	Acc.to DIN ISO 5211
Flange connection:	Acc.to UNI EN 1092, PN06 - PN10 - PN16
Medium temperature:	-10°C bis +150°C pressure dependent
Pressure rating:	Max. 16 bar temperature dependent

### Technical data electric actuator

Control voltage:	230V AC 50/60 Hz   24V DC
Mode of operation:	*OPEN* *CLOSE*
Turning angle:	0°-90°
Protection class:	IP 67
Operating temperature:	- 25° C up to +55° C
2 Limit switches:	For 90° rotation
2 Limit switches:	For the feedback *OPEN* *CLOSE*
Screw connection:	1 M20 for the voltage supply 1 M20 for the position feedback signal
Actuator connection:	Acc.to DIN ISO 5211
Position indicator:	visual display
Manual override:	Allen key
Housing cover:	Aluminium alloy grey coated



Article No. 230V 50 Hz.	Article No. 24V DC	DN	A mm	B mm	C mm	A1 mm	L mm	AE(Nm)	S(Sec)
AE065400-08	AE075400-08	40	279	160	140	65	43	50	25
AE065400-09	AE075400-09	50	279	160	140	65	43	50	25
AE065400-10	AE075400-10	65	283	160	140	72	46	50	25
AE095400-11	AE105400-11	80	308	196	145	80	46	100	30
AE095400-12	AE105400-12	100	326	196	145	114	52	100	30
AE115400-13	AE125400-13	125	376	255	182	125	56	200	30
AE115400-14	AE125400-14	150	396	255	182	138	56	200	30

08/2019

Measurements, as well as pictures are non-binding. We reserve ourselves changes according to the state of the technology  
 WESA-Armaturen GmbH \* 73650 Winterbach \*Spanninger Straße 5 \* Telefon: +49 (0) 7181 404-0 · Telefax: +49 (0) 7181 404-33

www.wesa-armaturen.de

e-mail : info@wesa-armaturen.de