

### Automation with electric actuator

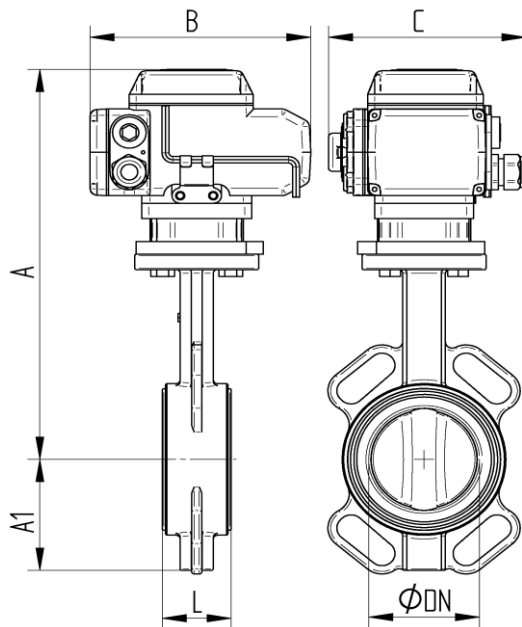
#### Technical data butterfly valve

Body:	Spheroid ductile iron GGG40 blue RAL5002 coated
Disc:	Stainless steel 1.4408
Seat:	Resilient seated [see the table]
Shaft:	Stainless steel 1.4021
Shaft sealing:	PTFE+NBR O-Ring
Overall length:	Acc.to DIN EN 558-1
Actuator connection:	Acc.to DIN ISO 5211
Flange connection:	Acc.to UNI EN 1092, PN06 - PN10 - PN16
Medium temperature:	Seat dependent [see the table]
Pressure rating:	Max. 16 bar temperature dependent

Article No.	Seat	Temperature
5100	EPDM-H	-10°C up to +110°C
5110	NBR	-10°C up to +90°C
5120	FKM	-10°C up to +150°C

#### Technical data electric actuator

Control voltage:	230V AC 50 60 Hz; 24V DC
Mode of operation:	*OPEN* *CLOSE*
Turning angle:	0°-90°
Protection class:	IP 67
Operating temperature:	- 25° C up to + 55° C
2 Limit switches:	For 90° rotation
2 Limit switches:	For the feedback *OPEN* *CLOSE*
Screw connection:	1 M20 for the voltage supply 1 M20 for the position feedback signal
Actuator connection:	Acc.to DIN ISO 5211
Position indicator:	visual display
Manual override:	Allen key
Housing cover:	Aluminium alloy grey coated



Article No. 230V 50 Hz.	Article No. 24V DC	DN	øDN	A mm	B mm	C mm	A1 mm	L mm	AE(Nm)	S(Sec)
AE065100/5110/5120-08	AE075100/5110/5120-08	40	40	270	160	140	70	33	50	25
AE065100/5110/5120-09	AE075100/5110/5120-09	50	50	278	160	140	61	43	50	25
AE065100/5110/5120-10	AE075100/5110/5120-10	65	63	290	160	140	72	46	50	25
AE065100/5110/5120-11	AE075100/5110/5120-11	80	77	298	160	140	87	46	50	25
AE095100/5110/5120-12	AE105100/5110/5120-12	100	100	344	197	145	106	52	100	30
AE095100/5110/5120-13	AE105100/5110/5120-13	125	125	359	197	145	123	56	100	30
AE115100/5110/5120-14	AE125100/5110/5120-14	150	147	410	255	182	137	56	200	30
AE115100/5110/5120-15	AE125100/5110/5120-15	200	198	453	255	182	174	60	200	30
AE135100/5110/5120-16	AE145100/5110/5120-16	250	244	486	255	182	209	68	400	30
AE155100/5110/5120-17	AE165100/5110/5120-17	300	298	530	255	182	253	78	600	45

02/2023

Measurements, as well as pictures are non-binding. We reserve ourselves changes according to the state of the technology  
 WESA-Armaturen GmbH \* 73650 Winterbach \* Spanninger Straße 5 \* Telefon: +49 (0) 7181 404-0 · Telefax: +49 (0) 7181 404-33  
 www.wesa-armaturen.de e-mail : info@wesa-armaturen.de