

Stainless steel

TECHNICAL DATA BALL VALVE:

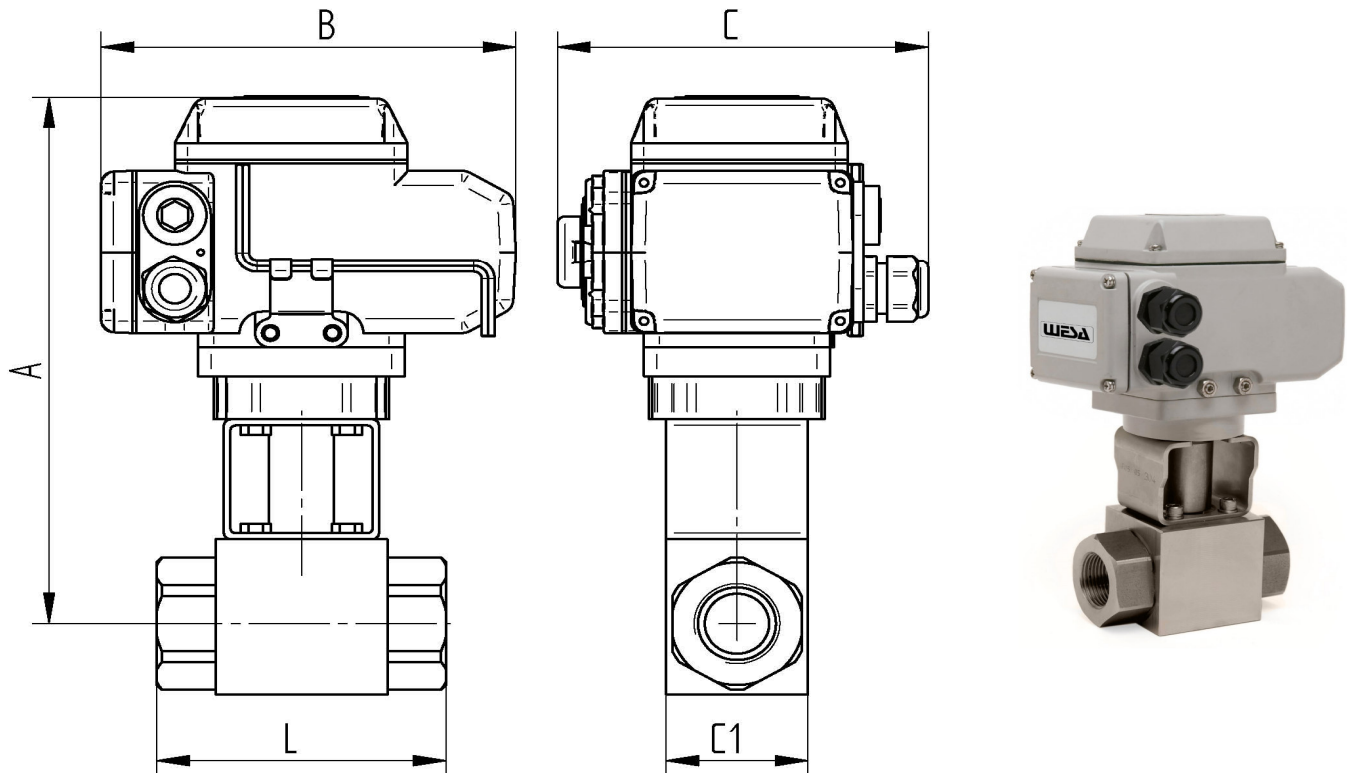
temperature range :	-30°C up to max. +100°C, pressure dependent
pressure range :	max. PN 500 bar
connecting thread :	acc. to DIN EN ISO 5211
actuator connection :	nach DIN ISO 228/1
body material :	stainless steel, 1.4404
ball :	stainless steel, 1.4404
ball seals :	POM
stem:	stainless steel, 1.4404
stem seals :	POM, NBR

on request: seals for higher temperature

TECHNICAL DATA ACTUATOR

Functionality :	*Open* *Close*
Control voltage :	230 V AC 50/60 Hz; 24 V DC
Operating temperature:	- 25° C up to + 55 ° C
Turning angle:	opposed to 90 ° for ball valve max. 270 °
Protective kind:	IP 67
Elektr. connection:	1 M20 Screw connection: Voltage supply 1 M20 Screw connection: Position feedback signal
Limit switches:	2 piece for 90° rotation 2 piece for feedback *Open* *Close*
Manual override:	Allen key
Housing cover:	Aluminium alloy coated
Junction	
ISO-Connection:	according to DIN ISO 5211
Position indicator:	optical

Connecting thread female/female



Art.Nr. 230V 50 Hz.	Art. Nr. 24V DC	G"	DN	L mm	C1 mm	A mm	B mm	C mm	Sec.	Nm
AE069769-04	AE079769-04	1/2"	13	83	37	206	160	137	25	50
AE069769-05	AE079769-05	3/4"	20	95	49	214	160	137	25	50
AE099769-06	AE109769-06	1"	25	112	55	244	197	145	30	100
AE099769-07	AE109769-07	1 1/4"	32	115	85	255	197	145	30	100
AE119769-08	AE129769-08	1 1/2"	40	131	105	300	255	182	30	200
AE139769-09	AE149769-09	2"	50	140	117	303	255	182	30	400