

Carbon steel

TECHNICAL DATA BALL VALVE:

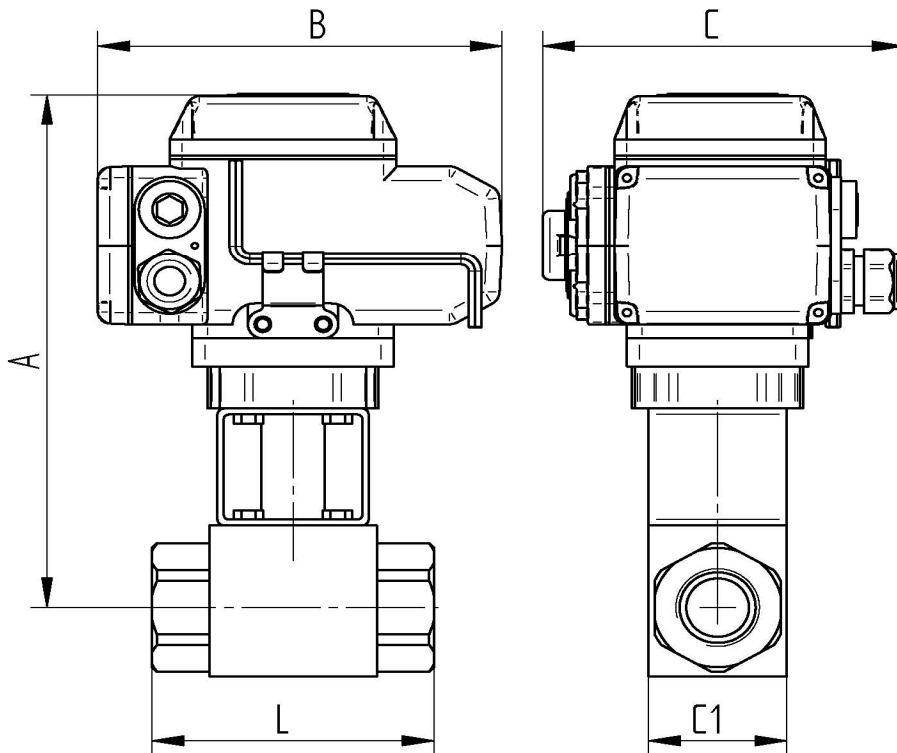
operating temperature:	-20°C (-30°C) up to +100°C, pressure dependent
working pressure:	max. PN 500 bar
actuator connection :	according to DIN EN ISO 5211
connecting thread:	according to DIN ISO 228/1
body material :	carbon steel 1.0737 / 1.0570 (1 1/4"-2")
butt weld:	carbon steel 1.0737 / 1.0570 (1 1/4"-2")
ball :	carbon steel 1.0737
ball seal :	POM
stem :	carbon steel 1.0737
stem seals :	POM, NBR

on request: seals for higher temperature

TECHNICAL DATA ACTUATOR

Functionality :	*Open* *Close*
Control voltage :	230 V AC 50/60 Hz; 24 V DC
Operating temperature:	- 25° C up to + 55° C
Turning angle:	opposed to 90° for ball valve max. 270°
Protective kind:	IP 67
Elektr. connection:	1 M20 Screw connection: Voltage supply 1 M20 Screw connection: Position feedback signal
Limit switches:	2 piece for 90° rotation 2 piece for feedback *Open* *Close*
Manual override:	Allen key
Housing cover:	Aluminium alloy coated
Junction	
ISO-Connection:	according to DIN ISO 5211
Position indicator:	optical

Connecting thread female/female



Art.Nr. 230V 50 Hz.	Art. Nr. 24V DC	G"	DN	L mm	C1 mm	A mm	B mm	C mm
AE064500-04	AE074500-04	1/2"	13	83	37	206	160	137
AE064500-05	AE074500-05	3/4"	20	95	49	214	160	137
AE094500-06	AE104500-06	1"	25	112	55	244	197	145
AE094500-07	AE104500-07	1 1/4"	32	115	85	255	197	145
AE114500-08	AE124500-08	1 1/2"	40	131	105	300	255	182
AE134500-09	AE144500-09	2"	50	140	117	303	255	182