

Carbon steel

TECHNICAL DATA BALL VALVE:

operating temperature:	-20°C up to max. +100°C, pressure dependent
working pressure:	max. PN 500 bar
actuator connection :	according to DIN EN ISO 5211
connecting thread:	according to DIN ISO 228/1
body material :	carbon steel 1.0737 / 1.0570 (1 1/4"-2")
butt weld:	carbon steel 1.0737 / 1.0570 (1 1/4"-2")
ball :	carbon steel 1.0737
ball seal :	POM
stem :	carbon steel 1.0737
stem seals :	POM, NBR

on request: seals for higher temperature

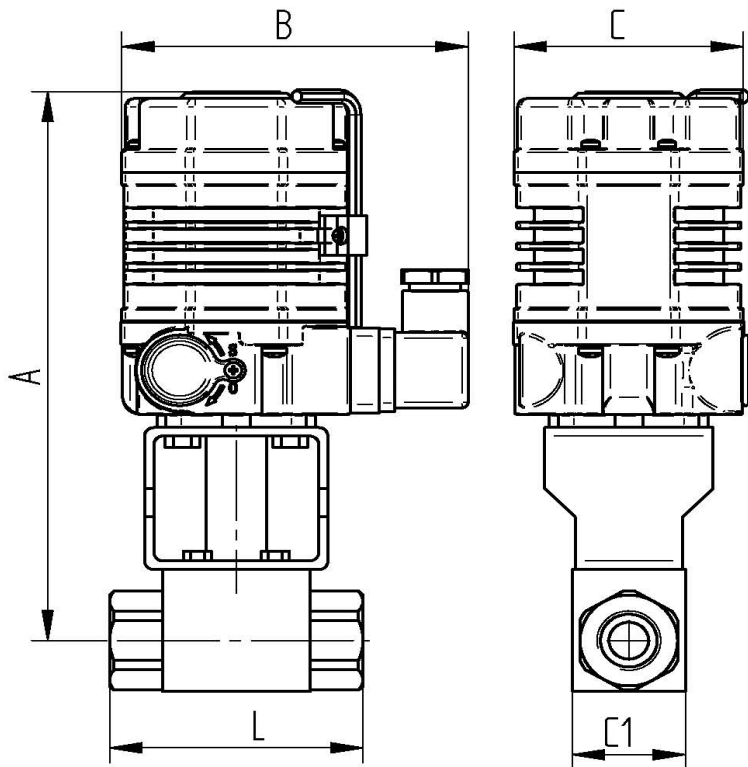
TECHNICAL DATA ACTUATOR

Functionality :	*Open* *Close*
Control voltage :	AE 01 : 230V AC 50/60 Hz. AE 02 : 24V DC
power drain:	AE 01: 6 W AE 02: 8 W
Operating temperature:	- 25°C up to + 55°C
manipulating time:	15s for 90° at 18 Nm
Rotary corner :	opposed to 90 ° for ball valve max. 360 °
Torque max. :	18 Nm
Protective kind:	IP 64
Elektr. connection:	1 connector: voltage supply 1 connector: position feedback signal
position switch:	2 piece for 90° rotation 2 piece for feedback *Open* *Close*

Junction

ISO-Connection:	according to DIN ISO 5211 F 03/04/05 square 9x9/ 11x11
Position indicator:	optical

Connecting thread female/female



Art.Nr. 230V 50 Hz.	Art. Nr. 24V DC	G"	DN	L mm	C1 mm	A mm	B mm	C mm
AE014500-02	AE024500-02	1/4"	6	71	30	190	116	75
AE014500-03	AE024500-03	3/8"	10	73	35	192	116	75