

Stainless steel

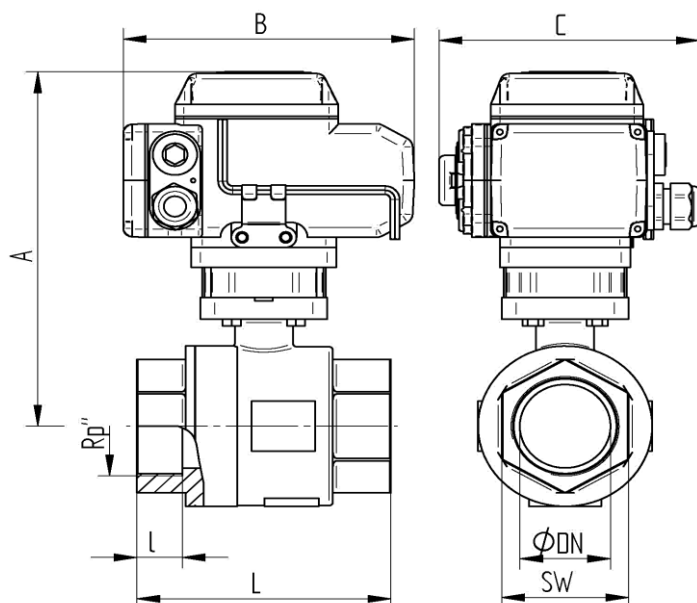
TECHNICAL DATA BALL VALVE:

temperature range :	- 20°C up to max. + 150°C, presure dependent
pressure range :	max. PN 140 bar
connecting thread :	acc. to DIN 2999
actuator connection :	acc. to DIN EN ISO 5211
body material :	stainless steel 1.4401
ball :	stainless steel 1.4401
ball seals :	PTFE
stem:	stainless steel 1.4401
stem seals :	PTFE / FKM
safety :	blow out trustet stem, antistatic construction

TECHNICAL DATA ACTUATOR

Functionality :	*Open* *Close*
Control voltage :	230 V AC 50/60 Hz; 24 V DC
Operating temperature:	- 25° C up to + 55 ° C
Turning angle:	opposed to 90 ° for ball valve max. 270 °
Protective kind:	IP 67
Elektr. connection:	1 M20 Screw connection: Voltage supply 1 M20 Screw connection: Position feedback signal
Limit switches:	2 piece for 90° rotation 2 piece for feedback *Open* *Close*
Manual override:	Allen key
Housing cover:	Aluminium alloy coated
Junction	
ISO-Connection:	according to DIN ISO 5211
Position indicator:	optical

Connecting thread female/female



Art. Nr. 230V 50 Hz.	Art. Nr. 24V DC	Rp"	DN	øD mm	A mm	B mm	C mm	L mm	I mm	SW mm	Sek.	Nm
AE069768-07	AE079768-07	1 1/4"	32	32	185	160	140	110	21	50	25	50
AE069768-08	AE079768-08	1 1/2"	40	40	195	160	140	120	22	58	25	50
AE069768-09	AE079768-09	2"	50	50	205	160	140	140	25	70	25	50
AE099768-10	AE109768-10	2 1/2"	65	65	257	196	145	185	38	87	30	100
AE119768-11	AE129768-11	3"	80	80	307	255	182	205	38	104	30	200