

### Stainless steel

#### TECHNICAL DATA BALL VALVE:

temperature range :	- 20°C up to max. + 150°C, pressure dependent
pressure range :	max. PN 140 bar
connecting thread :	acc. to DIN 2999
actuator connection :	acc. to DIN EN ISO 5211
body material :	stainless steel 1.4401
ball :	stainless steel 1.4401
ball seals :	PTFE
stem:	stainless steel 1.4401
stem seals :	PTFE / FKM
safety :	blow out trustet stem, antistatic construction

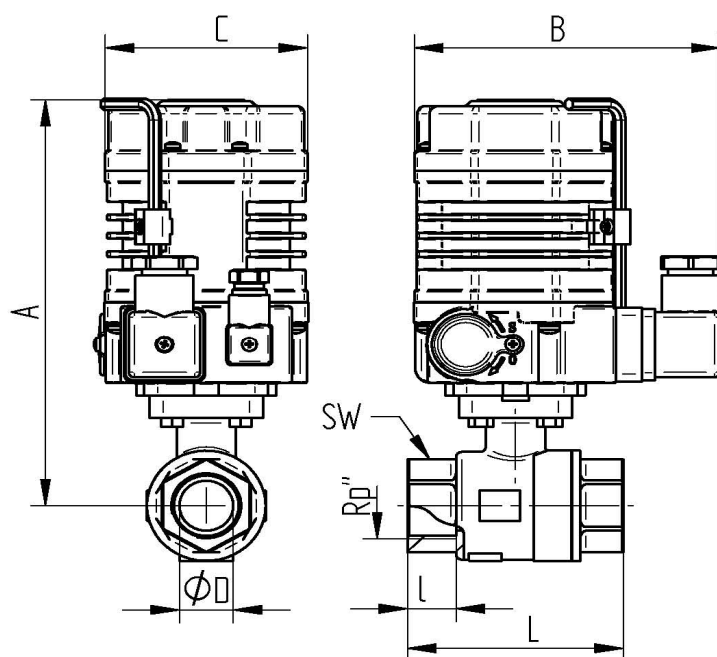
#### TECHNICAL DATA ACTUATOR

Functionality :	*Open* * Close *
Control voltage :	AE 01 : 230V AC 50/60 Hz. AE 02 : 24V DC
power drain:	AE 01: 6 W AE 02: 8 W
Operating temperature:	- 25°C up to + 55°C
manipulating time:	15s for 90° at 18 Nm
Rotary corner :	opposed to 90 ° for ball valve max. 360 °
Torque max. :	18 Nm
Protective kind:	IP 64
Elektr. connection:	1 connector: voltage supply 1 connector: position feedback signal
position switch:	2 piece for 90° rotation 2 piece for feedback *Open* *Close*

#### Junction

ISO-Connection:	according to DIN ISO 5211 F 03/04/05 square 9x9/ 11x11
Position indicator:	optical

### Connecting thread female/female



Art. Nr. 230V 50 Hz.	Art. Nr. 24V DC	Rp"	øDN	A mm	B mm	C mm	L mm	l mm	øD mm	SW mm
AE019768-02	AE029768-02	1/4"	10	161	116	75	65	13	11	27
AE019768-03	AE029768-03	3/8"	12	161	116	75	65	11	13	27
AE019768-04	AE029768-04	1/2"	15	161	116	75	75	16	16	27
AE019768-05	AE029768-05	3/4"	20	165	116	75	80	18	20	33
AE019768-06	AE029768-06	1"	25	173	116	75	90	18	25	41