

Stainless steel

TECHNICAL DATA BALL VALVE:

| | |
|-------------------------|---|
| Body material : | stainless steel 1.4401 |
| Screw-in-sleeve: | stainless steel 1.4401 |
| Connection thread : | according to DIN EN 10226-1 |
| Ball : | Stainless steel 1.4401 |
| Ball seals : | RPTFE |
| Spindle : | stainless steel 1.4401, Blow-out proof |
| Spindle seals : | PTFE / FKM |
| Actuator connection : | according to DIN EN ISO 5211 |
| Operating temperature : | - 20°C to max. + 150°C, pressure dependent |
| Working pressure : | max. PN 140 bar temperature dependent Compressed air max. 20 bar |

Approval : EAC nach TR CU 010/2011

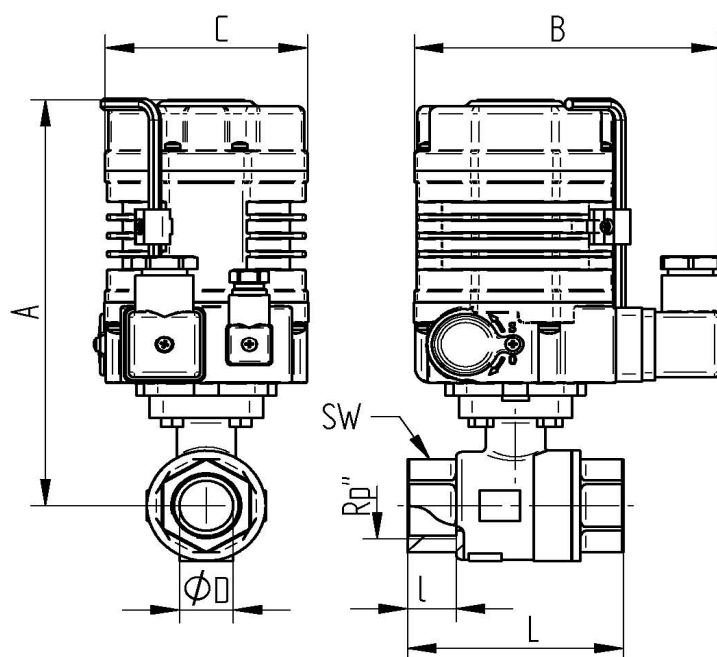
TECHNICAL DATA ACTUATOR

| | |
|------------------------|--|
| Functionality : | *Open* *Close* |
| Control voltage : | AE 01 : 230V AC 50/60 Hz. AE 02 : 24V DC |
| power drain: | AE 01: 6 W AE 02: 8 W |
| Operating temperature: | - 25°C up to + 55°C |
| manipulating time: | 15s for 90° at 18 Nm |
| Rotary corner : | opposed to 90° for ball valve max. 360° |
| Torque max. : | 18 Nm |
| Protective kind: | IP 64 |
| Elektr. connection: | 1 connector: voltage supply 1 connector: position feedback signal |
| position switch: | 2 piece for 90° rotation 2 piece for feedback *Open* *Close* |

Junction

| | |
|---------------------|---|
| ISO-Connection: | according to DIN ISO 5211 F 03/04/05 square 9x9/ 11x11 |
| Position indicator: | optical |

Connecting thread female/female



| Art. Nr. 230V 50 Hz. | Art. Nr. 24V DC | Rp" | øDN | A mm | B mm | C mm | L mm | l mm | øD mm | SW mm |
|----------------------|-----------------|------|-----|------|------|------|------|------|-------|-------|
| AE019768-02 | AE029768-02 | 1/4" | 10 | 161 | 116 | 75 | 65 | 13 | 11 | 27 |
| AE019768-03 | AE029768-03 | 3/8" | 12 | 161 | 116 | 75 | 65 | 11 | 13 | 27 |
| AE019768-04 | AE029768-04 | 1/2" | 15 | 161 | 116 | 75 | 75 | 16 | 16 | 27 |
| AE019768-05 | AE029768-05 | 3/4" | 20 | 165 | 116 | 75 | 80 | 18 | 20 | 33 |