

Brass

TECHNICAL DATA BALL VALVE:

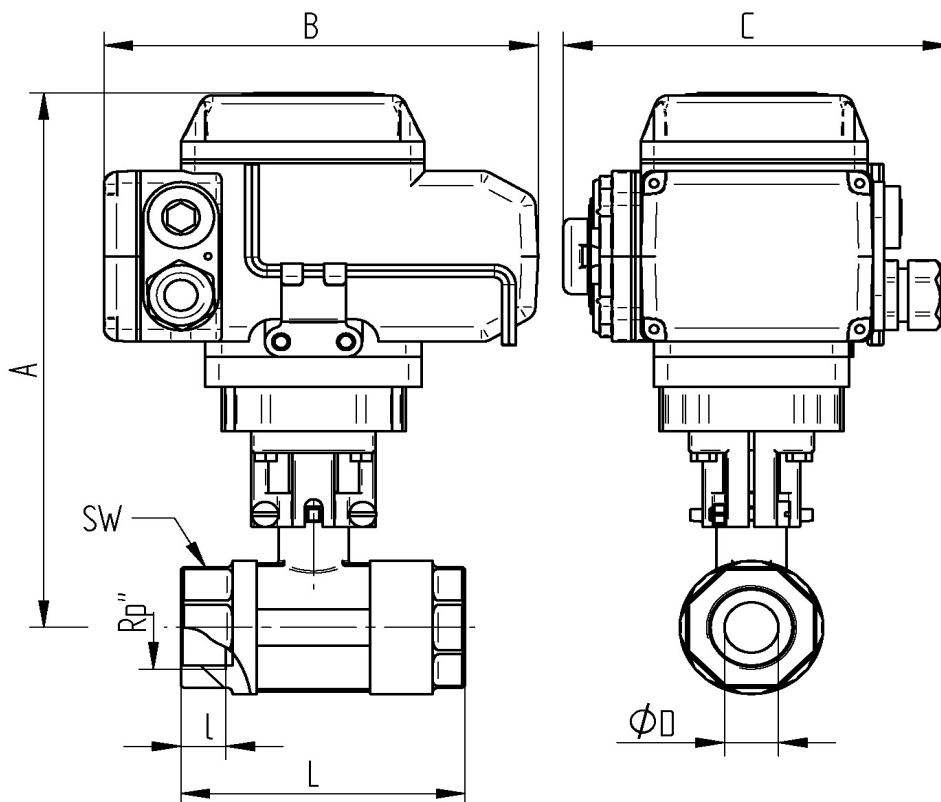
Construction:	2-way ball valve, reduced passage
Construction:	2-part design
Connection end:	female thread according to DIN EN 10226-1
Body:	CW617N nickel plated
Screw-in socket:	CW617N nickel plated
Ball:	CW617N, bright chrome plated
Spindle:	high strength DELRIN
Ball seal:	CW617N
Stem seal:	PTFE / FKM
Operating temperature :	-10°C to +80°C, pressure dependent
Operating pressure :	max. PN 210 bar compressed air max. 20 bar

Approval : EAC acc.to TR CU 010/2011

TECHNICAL DATA ACTUATOR

Functionality :	*Open* *Close*
Control voltage :	230 V AC 50/60 Hz; 24 V DC
Operating temperature:	- 25 ° C up to + 55 ° C
Turning angle:	opposed to 90 ° for ball valve max. 270 °
Protective kind:	IP 67
Elektr. connection:	1 M20 Screw connection: Voltage supply 1 M20 Screw connection: Position feedback signal
Limit switches:	2 piece for 90° rotation 2 piece for feedback *Open* *Close*
Manual override:	Allen key
Housing cover:	Aluminium alloy coated
Junction	
ISO-Connection:	according to DIN ISO 5211
Position indicator:	optical

Connecting thread female/female



Art. Nr. 230 V	Art. Nr. 24 V	Rp"	DN mm	øD mm	A mm	B mm	C mm	L mm	l mm	SW mm
AE040814-03	AE050814-03	3/8"	10	8	192	162	138	75	12	26
AE040814-04	AE050814-04	1/2"	15	12	193	162	138	85	14	32
AE040814-05	AE050814-05	3/4"	20	16	210	162	138	95	16	39
AE040814-06	AE050814-06	1"	25	20	214	162	138	105	19	48