

Brass

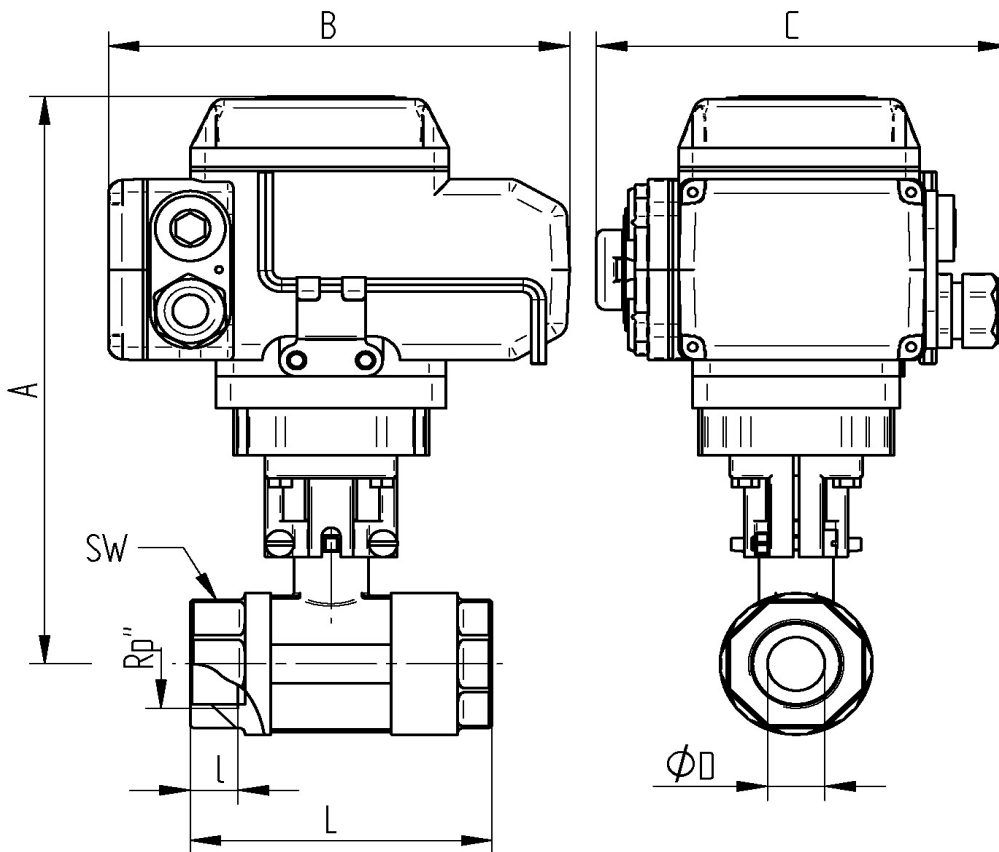
TECHNICAL DATA BALL VALVE:

temperature range :	-20°C up to +80°C, pressure-dependent
pressure range :	max. PN 210 bar
connecting thread :	according to DIN 2999 - ISO 7/1
body material :	hot-pressed brass MS 58, nickel plated
ball :	hot-pressed brass MS 58, hard chromed
ball seals :	PTFE
stem :	hot-pressed brass
stem seals :	PTFE / FKM

TECHNICAL DATA ACTUATOR

Functionality :	*Open* *Close*
Control voltage :	230 V AC 50/60 Hz; 24 V DC
Operating temperature:	- 25° C up to + 55° C
Turning angle:	opposed to 90° for ball valve max. 270°
Protective kind:	IP 67
Elektr. connection:	1 M20 Screw connection: Voltage supply 1 M20 Screw connection: Position feedback signal
Limit switches:	2 piece for 90° rotation 2 piece for feedback *Open* *Close*
Manual override:	Allen key
Housing cover:	Aluminium alloy coated
Junction	
ISO-Connection:	according to DIN ISO 5211
Position indicator:	optical

Connecting thread female/female



Art. Nr. 230 V	Art. Nr. 24 V	Rp"	DN mm	øD mm	A mm	B mm	C mm	L mm	l mm	SW mm
AE060814-05	AE070814-05	3/4"	20	16	175	160	140	95	16	39
AE060814-06	AE070814-06	1"	25	20	226	160	140	105	19	48