

### Brass

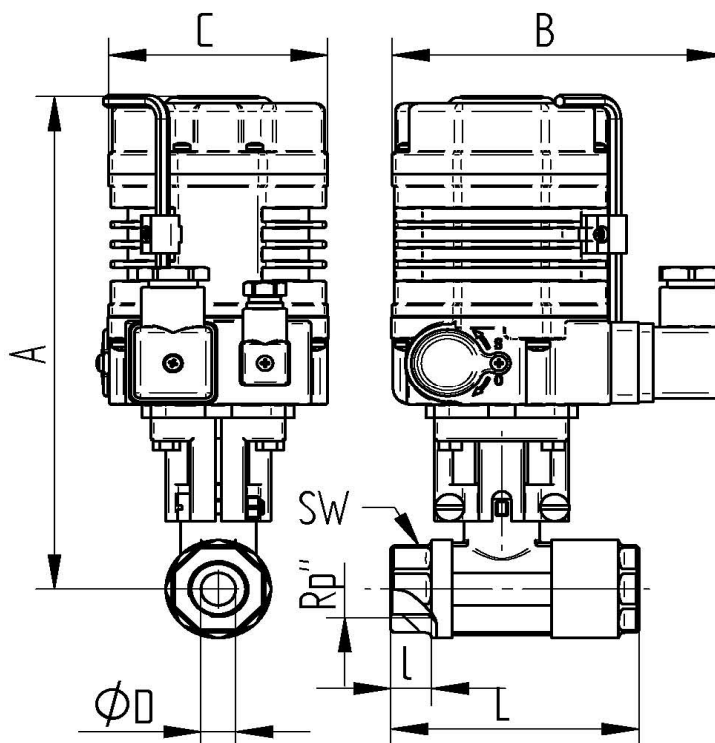
#### TECHNICAL DATA BALL VALVE:

temperature range :	-20°C up to +80°C, pressure-dependent
pressure range :	max. PN 210 bar
connecting thread :	according to DIN 2999 - ISO 7/1
body material :	hot-pressed brass MS 58, nickel plated
ball :	hot-pressed brass MS 58, hard chromed
ball seals :	PTFE
stem :	hot-pressed brass
stem seals :	PTFE / FKM

#### TECHNICAL DATA ACTUATOR

Functionality :	*Open* *Close*
Control voltage :	AE 01 : 230V AC 50/60 Hz. AE 02 : 24V DC
power drain:	AE 01: 6 W AE 02: 8 W
Operating temperature:	- 25°C up to + 55°C
manipulating time:	15s for 90° at 18 Nm
Rotary corner :	opposed to 90 ° for ball valve max. 360 °
Torque max. :	18 Nm
Protective kind:	IP 64
Elektr. connection:	1 connector: voltage supply 1 connector: position feedback signal
position switch:	2 piece for 90° rotation 2 piece for feedback *Open* *Close*
<b>Junction</b>	
ISO-Connection:	according to DIN ISO 5211 F 03/04/05 square 9x9/ 11x11
Position indicator:	optical

### Connecting thread female/female



Art. Nr. 230 V	Art. Nr. 24 V	Rp"	DN	øD mm	A mm	B mm	C mm	L mm	l mm	SW mm
AE010814-03	AE020814-03	3/8"	10	8	153,5	116	75	75	12	26
AE010814-04	AE020814-04	1/2"	15	12	153,5	116	75	85	14	32