

Stainless steel

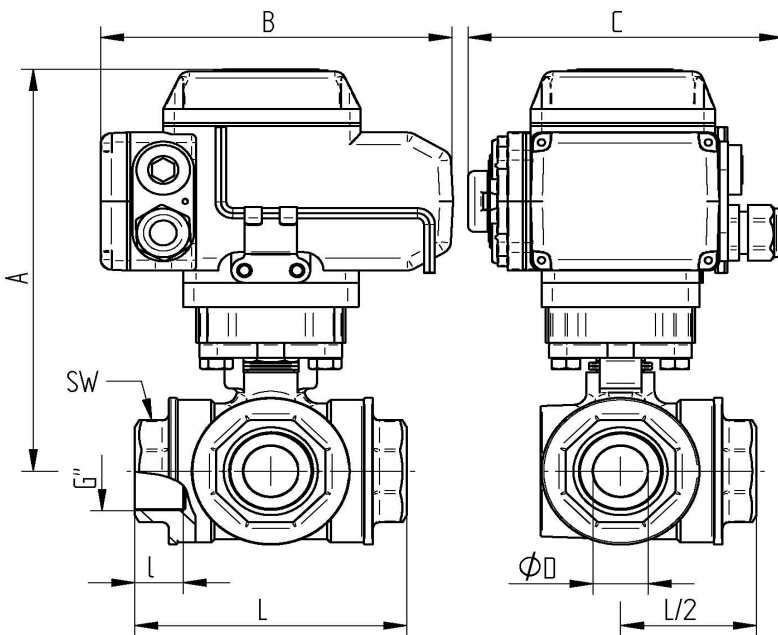
TECHNICAL DATA BALL VALVE:

Construction:	3-way reduced bore ball valve
Item No. 9334:	T-Port
Item No. 9335:	L-Port
Design:	4-part design
Connection end:	Thread acc.to DIN EN ISO 228-1
Body:	Stainless steel 1.4408
Screw-in sleeve:	Stainless steel 1.4408
Ball:	Stainless steel 1.4401
Stem:	Stainless steel 1.4401 Blow-out proof
Ball seal:	PTFE TFM1600
Stem seal:	PTFE FKM O-ring
Actuator connection:	Acc.to DIN EN ISO 5211 [direct assembly]
Medium temperature:	-20°C up to max. +180°C, pressure dependend
Medium nominal pressure:	Max. 63 bar temperature-dependent

TECHNICAL DATA ACTUATOR

Functionality :	*OPEN* * CLOSE
Control voltage :	230V AC 50/60 Hz. 24V DC
Operating temperature :	- 25°C up to max. + 55°C
Angle of rotation :	set 90 ° for ball valves max. 360 °
Protection class :	IP 67
Electrical connection :	1 M20 Screw: Voltage supply 1 M20 Screw: Position feedback signal
Limit switch :	2 pieces for 90° rotation 2 pieces for feedback *Open* *Close*
Position indicator:	optical
Actuator connection:	Acc.to DIN EN ISO 5211 [direct assembly]
Housing cover:	Aluminium alloy coated
Manual override:	Allen key

Connecting thread female



Item No. 230V 50 Hz.	Item No. 24V DC	G"	DN	øD mm	A mm	B mm	C mm	L mm	l mm	SW mm	sec.	Nm
AE049334/9335-06	AE059334/9335-06	1"	25	20	193	160	140	108	23	41	12	30
AE049334/9335-07	AE059334/9335-07	1 1/4"	32	25	197	160	140	124	23	50	12	30
AE069334/9335-08	AE079334/9335-08	1 1/2"	40	32	207	160	140	135	23	56	25	50
AE069334/9335-09	AE079334/9335-09	2"	50	40	216	197	145	164	32	70	25	50