

Brass

TECHNICAL DATA BALL VALVE:

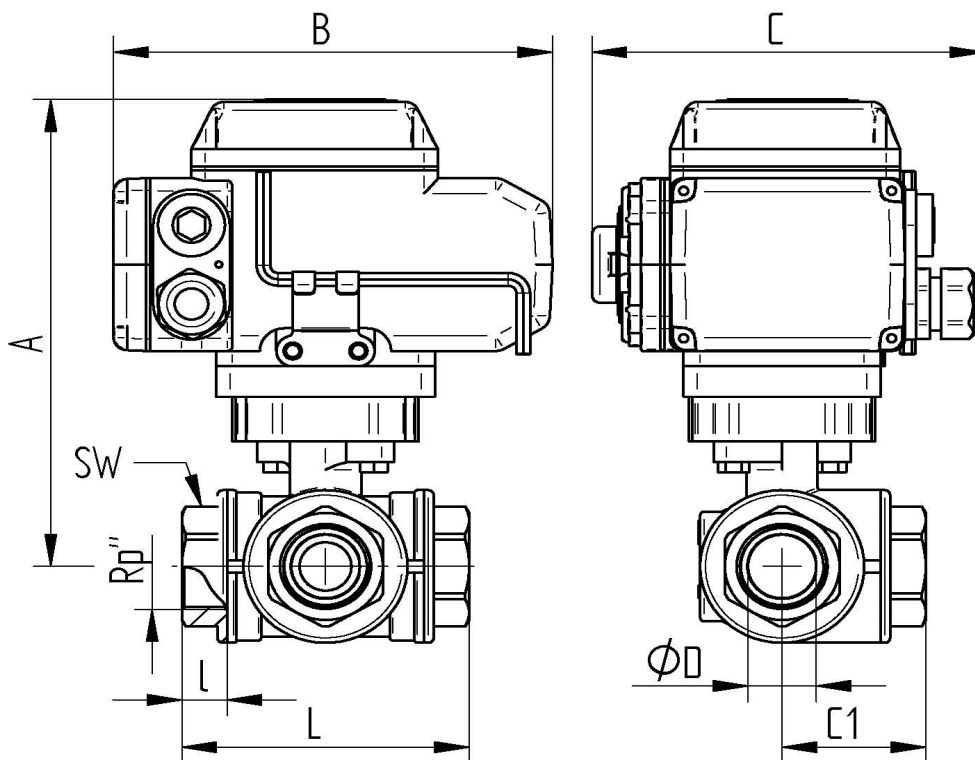
Working temperature: from -20°C to max. + 160°C, pressure dependent
 Working pressure : max. PN 30 bar, depending on nominal diameter
 Connection: female threaded, acc. DIN 2999 - ISO 7/1
 Actuatomounting: acc. ISO 5211
 Body material : hot-pressed brass nickel-plated CW 617 N
 Female connection: brass nickel-plated
 Ball: brass chromium plated CW 614 N
 Ball sealing: PTFE
 Stem: brass CW 614 N, blow out proofed
 Stem sealings: PTFE / FKM

837: T - port
838: L - port

TECHNICAL DATA ACTUATOR

Functionality : *Open* * Close *
 Control voltage : 230 V AC 50/60 Hz; 24 V DC
 Operating temperature: - 25 ° C up to + 55 ° C
 Turning angle: opposed to 90 ° for ball valve max. 270 °
 Protective kind: IP 67
 Elektr. connection: 1 M20 Screw connection: Voltage supply
 1 M20 Screw connection: Position feedback signal
 Limit switches: 2 piece for 90° rotation
 2 piece for feedback *Open* *Close*
 Manual override: Allen key
 Housing | cover: Aluminium alloy coated
Junction
 ISO-Connection: according to DIN ISO 5211
 Position indicator: optical

Connecting thread female/female



Art.Nr. 230 V 50 Hz.	Art. Nr. 24 V DC	Rp"	DN	øD mm	A mm	B mm	C mm	L mm	l mm	C1 mm	SW mm
AE060837_0838-06	AE070837_0838-06	1"	25	25	183	160	140	105	22	52,5	42
AE060837_0838-07	AE070837_0838-07	1 1/4"	32	32	194	160	140	122,5	27	61	50
AE090837_0838-08	AE100837_0838-08	1 1/2"	40	40	227	196	145	140	30	70	55
AE090837_0838-09	AE100837_0838-09	2"	50	50	238	196	145	168	30	85	70