

## Brass

### TECHNICAL DATA BALL VALVE:

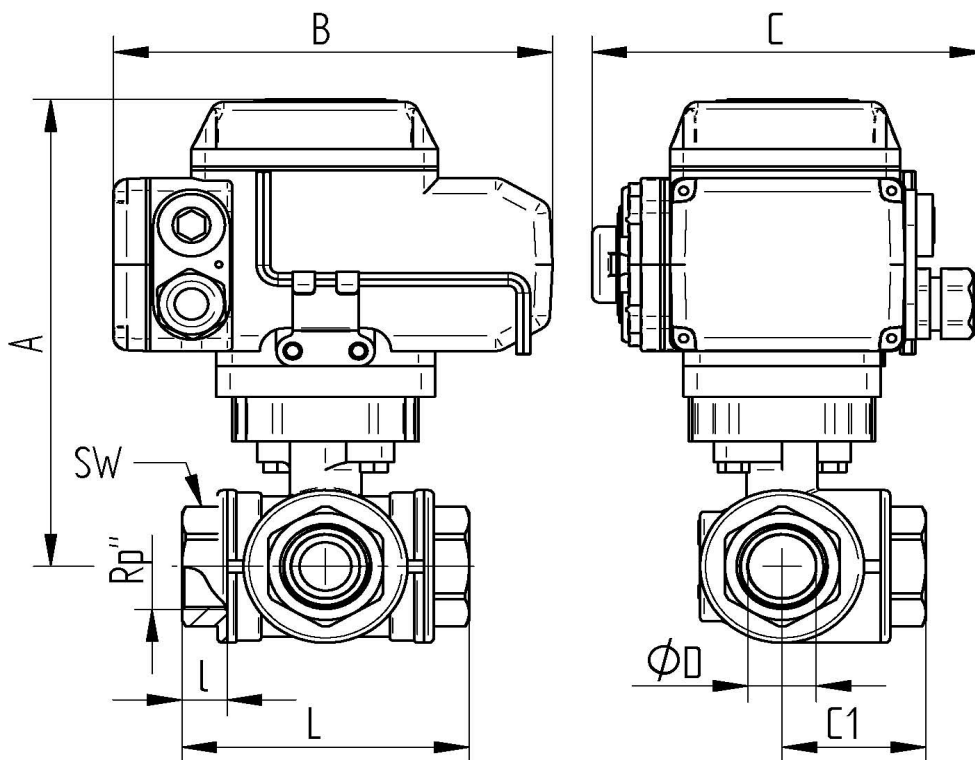
Working temperature: from -20°C to max. + 160°C, pressure dependent  
 Working pressure : max. PN 30 bar, depending on nominal diameter  
 Connection: female threaded, acc. DIN 2999 - ISO 7/1  
 Actuatomounting: acc. ISO 5211  
 Body material : hot-pressed brass nickel-plated CW 617 N  
 Female connection: brass nickel-plated  
 Ball: brass chromium plated CW 614 N  
 Ball sealing: PTFE  
 Stem: brass CW 614 N, blow out proofed  
 Stem sealings: PTFE / FKM

**837:** T - port  
**838:** L - port

### TECHNICAL DATA ACTUATOR

Functionality : \*Open\* \* Close \*  
 Control voltage : 230 V AC 50/60 Hz; 24 V DC  
 Operating temperature: - 25° C up to + 55 ° C  
 Turning angle: opposed to 90 ° for ball valve max. 270 °  
 Protective kind: IP 67  
 Elektr. connection: 1 M20 Screw connection: Voltage supply  
 1 M20 Screw connection: Position feedback signal  
 Limit switches: 2 piece for 90° rotation  
 2 piece for feedback \*Open\* \*Close\*  
 Manual override: Allen key  
 Housing | cover: Aluminium alloy coated  
**Junction**  
 ISO-Connection: according to DIN ISO 5211  
 Position indicator: optical

### Connecting thread female/female



Art.Nr. 230 V 50 Hz.	Art. Nr. 24 V DC	Rp"	DN	øD mm	A mm	B mm	C mm	L mm	l mm	C1 mm	SW mm
AE040837_0838-06	AE050837_0838-06	1"	25	25	183	160	140	105	22	52,5	42
AE040837_0838-07	AE050837_0838-07	1 1/4"	32	32	194	160	140	122,5	27	61	50
AE060837_0838-08	AE070837_0838-08	1 1/2"	40	40	208	160	140	140	30	70	55
AE090837_0838-09	AE100837_0838-09	2"	50	50	238	196	145	168	30	85	70