

Brass

TECHNICAL DATA BALL VALVE:

Working temperature: from -20°C to max. + 160°C, pressure dependent

Working pressure : max. PN 30 bar, depending on nominal diameter

Connection: female threaded, acc. DIN 2999 - ISO 7/1

Actuatomounting: acc. ISO 5211

Body material : hot-pressed brass nickel-plated CW 617 N

Female connection: brass nickel-plated

Ball: brass chromium plated CW 614 N

Ball sealing: PTFE

Stem: brass CW 614 N, blow out proofed

Stem sealings: PTFE / FKM

837: T - port
838: L - port

TECHNICAL DATA ACTUATOR

Functionality : *Open* *Close*
Control voltage : AE 01 : 230V AC 50/60 Hz.
AE 02 : 24V DC

power drain: AE 01: 6 W
AE 02: 8 W

Operating temperature: - 25°C up to + 55°C

manipulating time: 15s for 90° at 18 Nm

Rotary corner : opposed to 90 ° for ball valve max. 360 °

Torque max. : 18 Nm

Protective kind: IP 64

Elektr. connection: 1 connector: voltage supply
1 connector: position feedback signal

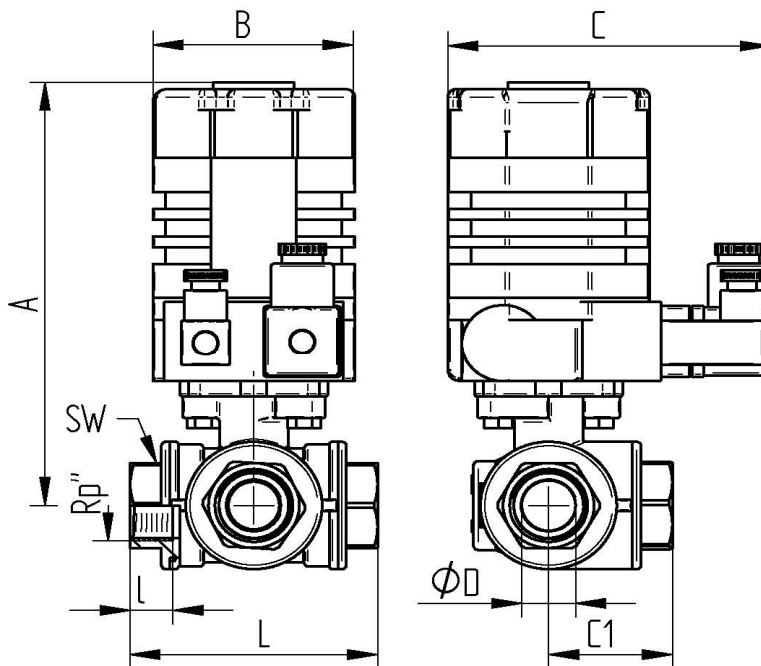
position switch: 2 piece for 90° rotation
2 piece for feedback *Open* *Close*

Junction

ISO-Connection: according to DIN ISO 5211
F 03/04/05 square 9x9/ 11x11

Position indicator: optical

Connecting thread female/female



| Art. Nr. 230V, 50 Hz. | Art. Nr. 24V DC | Rp" | DN | øD mm | A mm | B mm | C mm | L mm | l mm | øC1 mm | SW mm |
|-----------------------|------------------|------|----|-------|-------|------|------|------|------|--------|-------|
| AE010837_0838-03 | AE020837_0838-03 | 3/8" | 10 | 11 | 151,5 | 75 | 116 | 67 | 11,4 | 33,5 | 22 |
| AE010837_0838-04 | AE020837_0838-04 | 1/2" | 15 | 15 | 153,5 | 75 | 116 | 77 | 15 | 38,5 | 27 |
| AE010837_0838-05 | AE020837_0838-05 | 3/4" | 20 | 20 | 162,5 | 75 | 116 | 87 | 16,3 | 43,5 | 32 |