

Stainless steel

TECHNICAL DATA BALL VALVE:

Construction:	2-way full bore ball valve
Design:	2-part design
Connection end:	Flange according to DIN 2501/1-EN 1092-1
Body:	Stainless steel 1.4408
Screw-in ring:	Stainless steel 1.4408
Ball:	Stainless steel 1.4401 with flushing hole
Stem:	Stainless steel 1.4401 Blow-out proof
Ball seal:	PTFE TFM1600
Stem seal:	PTFE FKM O-ring
Body wall thickness:	According to EN 12516-1
Face to face dimension:	According to EN 558-1 series 27
Flange PN40	DN15-DN50
Flange PN16	DN65-DN150
Actuator connection:	Acc.to DIN EN ISO 5211 [direct assembly]
Medium temperature:	0°C up to +65°C pressure dependent [90°C for max. 30 Minutes]
Medium nominal pressure Max.	10 16 bar temperature-dependent
Inspection&Test :	DIN 3230/3 - EN 12266

TECHNICAL DATA ACTUATOR

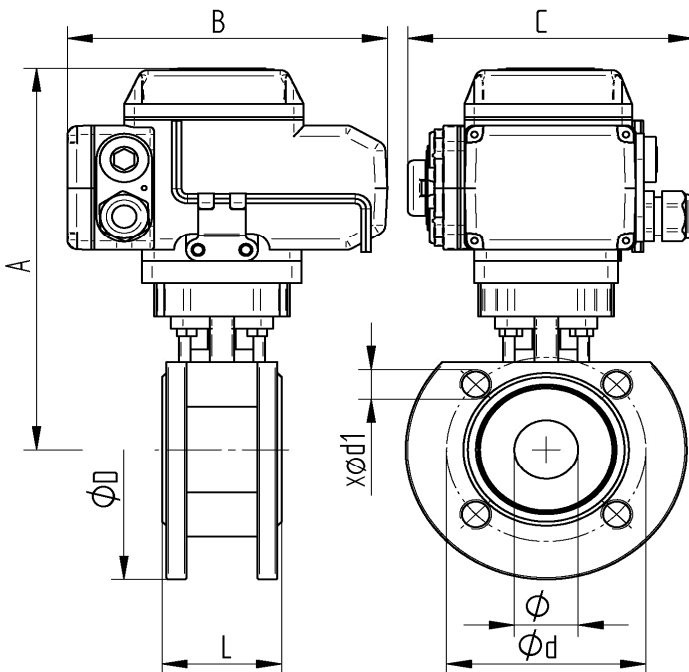
Functionality :	*OPEN* *CLOSE
Control voltage :	230V AC 50/60 Hz. 24V DC
Operating temperature :	- 25°C up to max. + 55°C
Angle of rotation :	set 90 ° for ball valves max. 360 °
Protection class :	IP 67
Electrical connection :	1 M20 Screw: Voltage supply 1 M20 Screw: Position feedback signal
Limit switch :	2 pieces for 90° rotation 2 pieces for feedback *Open* *Close*
Position indicator:	optical
Actuator connection:	Acc.to DIN EN ISO 5211 [direct assembly]
Housing cover:	Aluminium alloy coated
Manual override:	Allen key

Approval:



DIN DVGW DRINKING WATER
DIN EN 13828 | DVGW W570-1 PN10 up to DN100
DIN EN 1074-1 | DIN EN 1074-2 PN16 up to DN 200

Flange connections



Item No. 230V 50 Hz.	Item No. 24V DC	øDN	ø mm	A mm	B mm	C mm	L mm	øD mm	ød mm	ød1 mm	Sek.	Nm.
AE060931-07	AE070931-07	32	32	196,5	160	140	60	140	100	4xM16	25	50
AE060931-08	AE070931-08	40	38	202,5	160	140	65	150	110	4xM16	25	50
AE060931-09	AE070931-09	50	50	210,5	160	140	80	165	125	4xM16	25	50
AE090931-10	AE100931-10	65	63,5	266	197	145	110	185	145	4xM16	30	100
AE090931-11	AE100931-11	80	76	274	197	145	120	200	160	8xM16	30	100
AE110931-12	AE120931-12	100	95	335	255	182	150	220	180	8xM16	30	200
AE130931-13	AE140931-13	125	118	372	255	182	180	250	210	8xM16	30	400
AE150931-14	AE160931-14	150	142	388	255	182	225	285	240	8xM20	45	600

10/2023