

### Stainless steel

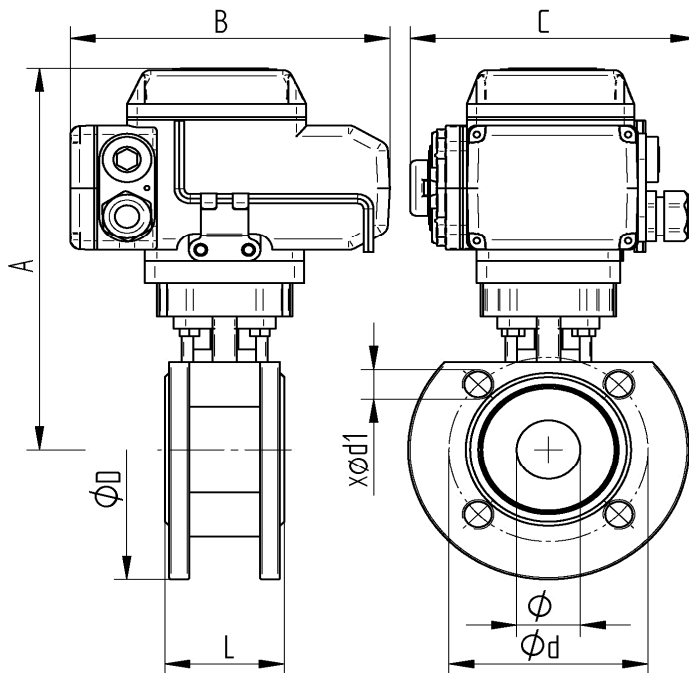
#### TECHNICAL DATA BALL VALVE:

Construction:	2-way full bore ball valve
Design:	1-part design
Connection end:	Flange according to DIN 2501/1-EN 1092-1
Body:	Stainless steel 1.4408
Screw-in ring:	Stainless steel 1.4408
Ball:	Stainless steel 1.4401
Stem:	Stainless steel 1.4401 Blow-out proof
Ball seal:	PTFE TFM1600
Stem seal:	PTFE   FKM O-ring
Body wall thickness:	According to EN 12516-1
Face to face dimension:	According to EN 558-1 series 27
Flange PN40	DN15-DN50
Flange PN16	DN65-DN150
Actuator connection:	Acc.to DIN EN ISO 5211 [direct assembly]
Medium temperature:	-20°C up to max. +180°C, pressure dependend
Medium nominal pressure	Max. 40 bar temperature-dependent
Inspection&Test :	DIN 3230/3 - EN 12266

#### TECHNICAL DATA ACTUATOR

Functionality :	*OPEN* *CLOSE
Control voltage :	230V AC 50/60 Hz.   24V DC
Operating temperature :	- 25°C up to max. + 55°C
Angle of rotation :	set 90 ° for ball valves max. 360 °
Protection class :	IP 67
Electrical connection :	1 M20 Screw: Voltage supply 1 M20 Screw: Position feedback signal
Limit switch :	2 pieces for 90° rotation 2 pieces for feedback *Open* *Close*
Position indicator:	optical
Actuator connection:	Acc.to DIN EN ISO 5211 [direct assembly]
Housing cover:	Aluminium alloy coated
Manual override:	Allen key

#### Flange connections



Item No. 230V 50 Hz.	Item No. 24V DC	øDN	ø mm	A mm	B mm	C mm	L mm	øD mm	ød mm	ød1 mm	Sek.	Nm.
AE060932-07	AE070932-07	32	32	196,5	160	140	60	140	100	4xM16	25	50
AE060932-08	AE070932-08	40	38	202,5	160	140	65	150	110	4xM16	25	50
AE060932-09	AE070932-09	50	50	210,5	160	140	80	165	125	4xM16	25	50
AE090932-10	AE100932-10	65	63,5	266	197	145	110	185	145	4xM16	30	100
AE090932-11	AE100932-11	80	76	274	197	145	120	200	160	8xM16	30	100
AE110932-12	AE120932-12	100	95	335	255	182	150	220	180	8xM16	30	200
AE130932-13	AE140932-13	125	118	372	255	182	180	250	210	8xM16	30	400
AE150932-14	AE160932-14	150	142	388	255	182	225	285	240	8xM20	45	600