

Stainless steel

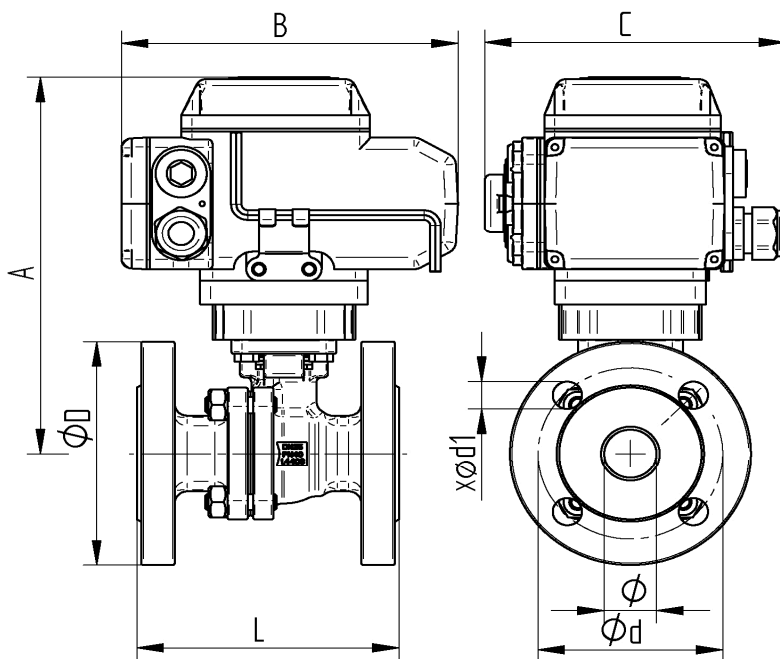
TECHNICAL DATA BALL VALVE:

Construction:	2-way full bore ball valve
Design:	2-part design
Connection end:	Flange according to DIN 2501/1-EN 1092-1
Body:	Stainless steel 1.4408
Ball:	Stainless steel 1.4401
Stem:	Stainless steel 1.4401 Blow-out proof
Ball seal:	PTFE TFM1600
Stem seal:	PTFE FKM O-ring
Body wall thickness:	According to EN 12516-1
Face to face dimension:	According to EN 558-1 series 27
Flange PN40	DN15-DN50
Flange PN16	DN65-DN150
Actuator connection:	Acc.to DIN EN ISO 5211 [direct assembly]
Medium temperature:	- 20°C up to max. + 180°C, pressure dependent
Medium nominal pressure:	Max. 40 bar temperature-dependent
Inspection&Test :	DIN 3230/3 - EN 12266

TECHNICAL DATA ACTUATOR

Functionality :	*OPEN* * CLOSE
Control voltage :	230V AC 50/60 Hz. 24V DC
Operating temperature :	- 25°C up to max. + 55°C
Angle of rotation :	set 90 ° for ball valves max. 360 °
Protection class :	IP 67
Electrical connection :	1 M20 Screw: Voltage supply 1 M20 Screw: Position feedback signal
Limit switch :	2 pieces for 90° rotation 2 pieces for feedback *Open* *Close*
Position indicator:	optical
Actuator connection:	Acc.to DIN EN ISO 5211 [direct assembly]
Housing cover:	Aluminium alloy coated
Manual override:	Allen key

Flange connections



Item No. 230V 50 Hz.	Item No. 24V DC	DN	øR mm	A mm	B mm	C mm	L mm	øD mm	ød mm	xød1mm	Sek.	Nm
AE060921-07	AE070921-07	32	32	198	160	140	130	140	100	4xø18	25	50
AE060921-08	AE070921-08	40	38	203	160	140	140	150	110	4xø18	25	50
AE060921-09	AE070921-09	50	50	212	160	140	150	165	125	4xø18	25	50
AE090921-10	AE100921-10	65	63,5	261	197	145	170	185	145	4xø18	30	100
AE090921-11	AE100921-11	80	76	271	197	145	180	200	160	8xø18	30	100
AE110921-12	AE120921-12	100	100	336	255	182	190	220	180	8xø18	30	200
AE130921-13	AE140921-13	125	125	448	255	182	325	250	210	8xø18	30	400
AE150921-14	AE160921-14	150	150	400	255	182	350	285	240	8xø22	45	600