

Ductile graphite iron GGG-40

TECHNICAL DATA BALL VALVE:

Working temperature : -10°C up to max. +70°C, pressure dependent
 Working pressure: max. PN 16 bar
 Flange connection: according to DIN 2501/1 - EN 1092-1
 Actuator connection: according to DIN EN ISO 5211
 Body material : Spheroid ductile iron GGG40, blue RAL5002
 Ball : Brass CW614N, chrome plated
 Ball seals: PTFE
 Stem : Brass CW614N, blow-out proofed
 Stem seals : PTFE | 2-fold NBR O-Ring
 License : DIN-DVGW-gas-certification acc. to DIN EN 331

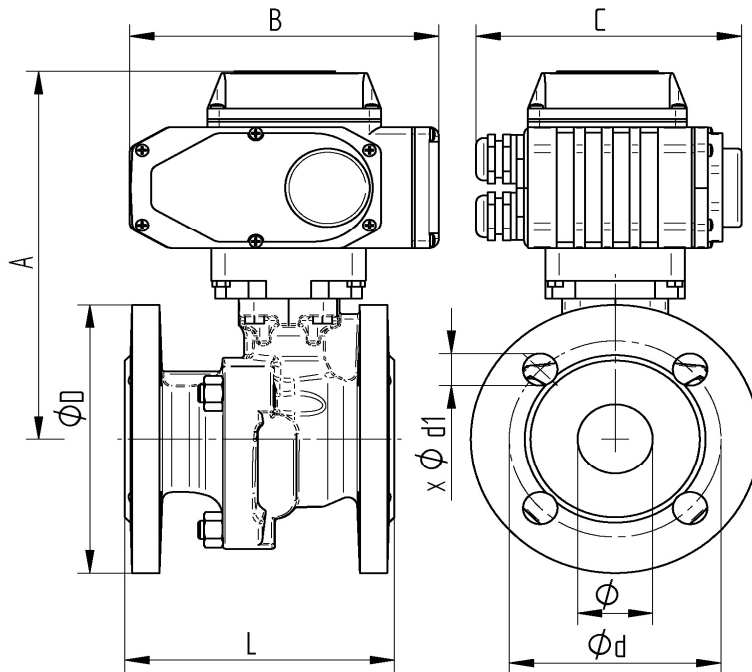
Face to face dimension according to EN 558-1 F4/F5

DIN DVGW GAS approval acc. to DIN EN 331

TECHNICAL DATA ACTUATOR

Functionality : *Open* *Close*
 Control voltage : 230 V AC 50/60 Hz; 24 V DC
 Operating temperature: - 25° C up to + 55 ° C
 Turning angle: opposed to 90 ° for ball valve max. 270 °
 Protective kind: IP 67
 Elektr. connection: 1 M20 Screw connection: Voltage supply
 1 M20 Screw connection: Position feedback signal
 Limit switches: 2 piece for 90° rotation
 2 piece for feedback *Open* *Close*
 Manual override: Allen key
 Housing | cover: Aluminium alloy coated
Junction
 ISO-Connection: according to DIN ISO 5211
 Position indicator: optical

Flangeconnection



Art. Nr. 230V 50 Hz.	Art. Nr. 24V DC	DN mm	ø	A mm	B mm	C mm	L mm	øD mm	ød mm	xød1 mm	sec	Nm
AE040919-05	AE050919-05	20	20	237	162	138	120	105	75	4xø14	12	30
AE040919-06	AE050919-06	25	25	244	162	138	125	115	85	4xø14	12	30
AE040919-07	AE050919-07	32	32	249	162	138	130	140	100	4xø18	12	30
AE040919-08	AE050919-08	40	40	214	162	138	140	150	110	4xø18	12	30
AE040919-09	AE050919-09	50	50	222	162	138	150	165	125	4xø18	12	30
AE060919-10	AE070919-10	50	63	254	162	138	150	165	125	4xø18	25	50
AE090919-11	AE100919-11	80	76	276	197	145	180	200	160	8xø18	30	100
AE110919-12	AE120919-12	100	95	329	255	182	190	220	180	8xø18	30	200
AE130919-13	AE140919-13	125	120	361	255	182	200	250	210	8xø18	30	400
AE130919-14	AE140919-14	150	145	379	255	182	210	285	240	8xø22	30	400