

gray cast iron GG25

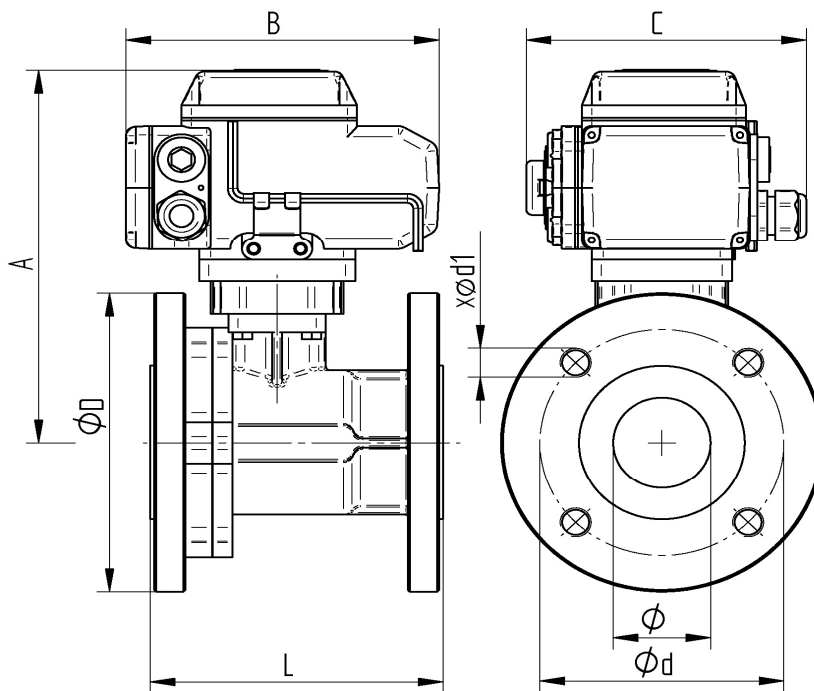
TECHNICAL DATA BALL VALVE:

Working temperature : -10°C up to max. +150°C, pressure dependent
 Working pressure: max. PN 16 bar
 Flange connection: according to UNI EN 1092-1
 with trough hole, except DN125-DN150
 Actuator connection: according to DIN EN ISO 5211
 Body material : gray cast iron GG25, coated
 Case material: gray cast iron GG25, coated
 Ball: stainless steel, AISI 304
 Ball seals: PTFE
 Stem : steel-9 SMnPb 36
 Stem seals : PTFE|HNBR O-Ring
 Overall length : according to EN 558-1 F4

TECHNICAL DATA ACTUATOR

Functionality : *Open* *Close*
 Control voltage : 230 V AC 50/60 Hz; 24 V DC
 Operating temperature: - 25° C up to + 55 ° C
 Turning angle: opposed to 90 ° for ball valve max. 270 °
 Protective kind: IP 67
 Elektr. connection: 1 M20 Screw connection: Voltage supply
 1 M20 Screw connection: Position feedback signal
 Limit switches: 2 piece for 90° rotation
 2 piece for feedback *Open* *Close*
 Manual override: Allen key
 Housing | cover: Aluminium alloy coated
Junction
 ISO-Connection: according to DIN ISO 5211
 Position indicator: optical

Flangeconnection



Art. Nr. 230V 50 Hz.	Art. Nr. 24V DC	DN mm	ø	A mm	B mm	C mm	L mm	øD mm	ød mm	xød1 mm	sec	Nm
AE040910-06	AE050910-06	25	25	237	162	138	125	115	85	4xø14	12	30
AE040910-07	AE050910-07	32	32	242	162	138	130	140	100	4xø18	12	30
AE060910-08	AE070910-08	40	40	201	162	138	140	150	110	4xø18	25	50
AE090910-09	AE100910-09	50	50	230	197	145	150	165	125	4xø18	30	100
AE090910-10	AE100910-10	65	61	254	197	145	170	185	145	4xø18	30	100
AE110910-11	AE120910-11	80	74	299	255	182	180	200	160	8xø18	30	200
AE110910-12	AE120910-12	100	95	313	255	182	190	220	180	8xø18	30	200
AE110910-13	AE120910-13	125	120	347	255	182	200	250	210	8xM16	30	200
AE110910-14	AE120910-14	150	145	368	255	182	210	285	240	8xM20	30	200