

Stainless steel

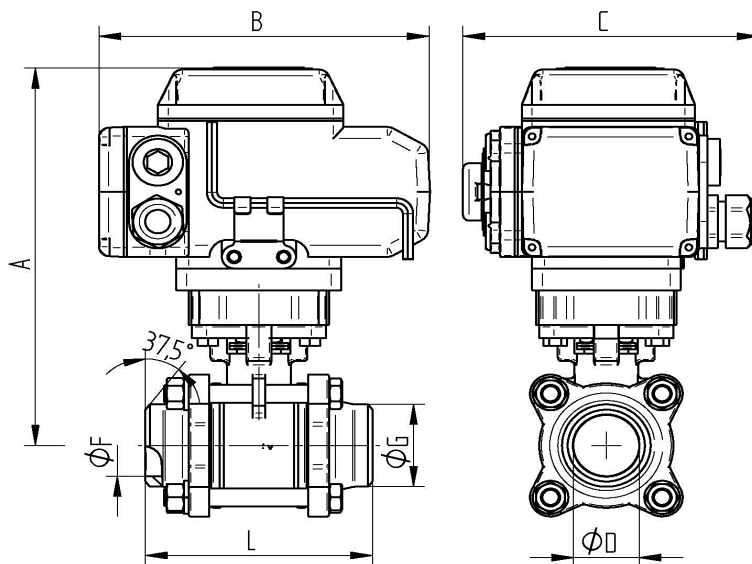
TECHNICAL DATA BALL VALVE:

Construction:	2-way full bore ball valve
Design:	3-part design
Connection end:	Butt welded
Body:	Stainless steel 1.4408
Screw-in sleeve:	Stainless steel 1.4408
Ball:	Stainless steel 1.4401
Stem:	Stainless steel 1.4401 Blow-out proof
Ball seal:	PTFE TFM1600
Stem seal:	PTFE FKM O-ring
Actuator connection:	Acc.to DIN EN ISO 5211 [direct assembly]
Medium temperature:	-20°C up to max. +180°C, pressure dependend
Medium nominal pressure	Max. 63 bar temperature-dependent

TECHNICAL DATA ACTUATOR

Functionality :	*OPEN* *CLOSE
Control voltage :	230V AC 50/60 Hz. 24V DC
Operating temperature :	- 25°C up to max. + 55°C
Angle of rotation :	set 90 ° for ball valves max. 360 °
Protection class :	IP 67
Electrical connection :	1 M20 Screw: Voltage supply 1 M20 Screw: Position feedback signal
Limit switch :	2 pieces for 90° rotation 2 pieces for feedback *Open* *Close*
Position indicator:	optical
Actuator connection:	Acc.to DIN EN ISO 5211 [direct assembly]
Housing cover:	Aluminium alloy coated
Manual override:	Allen key

Butt welded ends



Item No. 230V 50 Hz.	Item No. 24V DC	DN	øD mm	A mm	B mm	C mm	L mm	C1 mm	øF mm	øG mm	Sek.	Nm
AE069325-07	AE079325-07	32	32	190	160	140	110	74	35,1	43	25	50
AE069325-08	AE079325-08	40	38	198	160	140	125	80	40,9	50	25	50
AE069325-09	AE079325-09	50	50	205	160	140	150	95	52,5	61	25	50
AE099325-10	AE109325-10	65	63,5	259	197	145	190	118	62,7	76	30	100
AE099325-11	AE109325-11	80	76	268	197	145	220	175	78	92	30	100
AE119325-12	AE129325-12	100	100	336	255	182	270	224	102,4	115	30	200