

Stainless steel

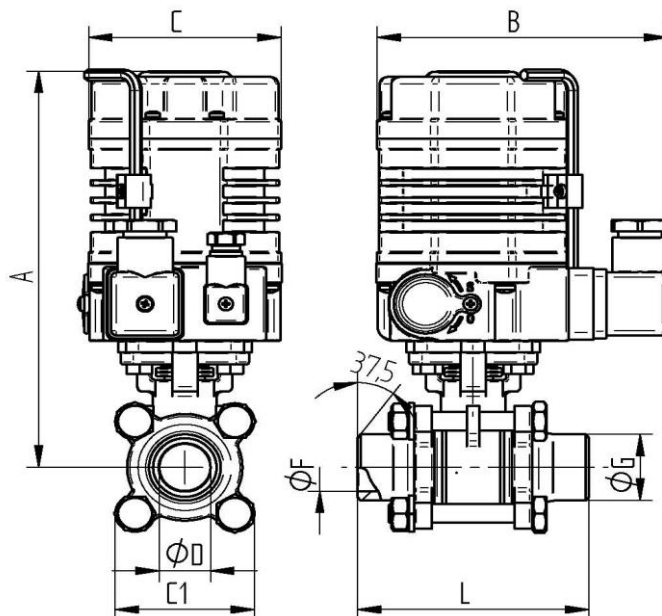
TECHNICAL DATA BALL VALVE:

Construction:	2-way full bore ball valve
Design:	3-part design
Connection end:	Butt welded ends
Body:	Stainless steel 1.4408
Screw-in sleeve:	Stainless steel 1.4408
Ball:	Stainless steel 1.4401
Stem:	Stainless steel 1.4401 Blow-out proof
Ball seal:	PTFE TFM1600
Stem seal:	PTFE FKM O-ring
Actuator connection:	Acc.to DIN EN ISO 5211 [direct assembly]
Medium temperature:	-20°C up to max. +180°C, pressure dependend
Medium nominal pressure:	Max. 63 bar temperature-dependent

TECHNICAL DATA ACTUATOR

Functionality :	*OPEN* * CLOSE
Control voltage :	AE01: 230V AC 50/60 Hz. AE02: 24V DC
Power consumption :	AE01: 6 W AE02: 8 W
Operating temperature :	- 25°C up to max. + 55°C
Operating time :	approx. 15 sec. for 90° at 18 Nm
Angle of rotation :	set 90° for ball valves max. 360°
Torque max :	18 Nm
Protection class :	IP 64
Electrical connection :	1 external plug for voltage 1 external plug for signal
Limit switch :	2 pieces for 90° rotation 2 pieces for feedback *Open* *Close*
Position indicator:	optical
Actuator connection:	Acc.to DIN EN ISO 5211 [direct assembly]
Star:	F03 F04 F05 square 9x9 11x11
Housing cover:	Aluminium alloy coated
Manual override:	Allen key

Butt welded ends



Art. Nr. 230V 50 Hz.	Art. Nr. 24V DC	DN	øD mm	A mm	B mm	C mm	L mm	C1 mm	øF mm	øG mm
AE019325-02	AE029325-02	10	10,6	161	116	75	70	47	10,6	18
AE019325-03	AE029325-03	12	12,7	161	116	75	70	47	12,7	18
AE019325-04	AE029325-04	15	15	161	116	75	75	47	15,8	22
AE019325-05	AE029325-05	20	20	167,5	116	75	90	55	20,9	28
AE019325-06	AE029325-06	25	25	177,5	116	75	100	60	26,7	34