

### Stainless steel

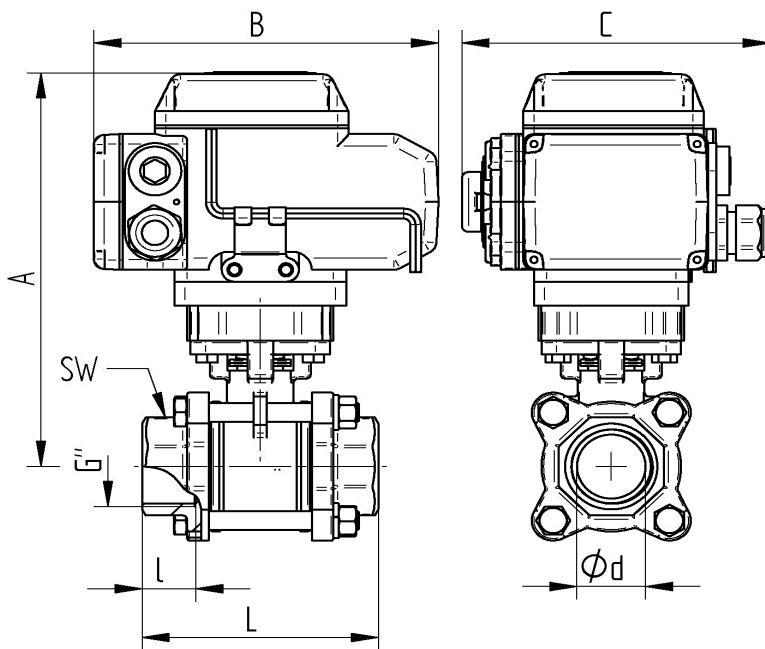
#### TECHNICAL DATA BALL VALVE:

Construction:	2-way full bore ball valve
Design:	3-part design
Connection end:	Thread acc.to DIN EN ISO 228-1
Body:	Stainless steel 1.4408
Screw-in sleeve:	Stainless steel 1.4408
Ball:	Stainless steel 1.4401
Stem:	Stainless steel 1.4401 Blow-out proof
Ball seal:	PTFE TFM1600
Stem seal:	PTFE   FKM O-ring
Actuator connection:	Acc.to DIN EN ISO 5211 [direct assembly]
Medium temperature:	-20°C up to max. +180°C, pressure dependend
Medium nominal pressure:	Max. 63 bar temperature-dependent

#### TECHNICAL DATA ACTUATOR

Functionality :	*OPEN* * CLOSE
Control voltage :	230V AC 50/60 Hz.   24V DC
Operating temperature :	- 25°C up to max. + 55°C
Angle of rotation :	set 90 ° for ball valves max. 360 °
Protection class :	IP 67
Electrical connection :	1 M20 Screw: Voltage supply 1 M20 Screw: Position feedback signal
Limit switch :	2 pieces for 90° rotation 2 pieces for feedback *Open* *Close*
Position indicator:	optical
Actuator connection:	Acc.to DIN EN ISO 5211 [direct assembly]
Housing cover:	Aluminium alloy coated
Manual override:	Allen key

### Connecting thread female/female



Item No. 230V 50 Hz.	Item No. 24V DC	G"	øDN	A mm	B mm	C mm	L mm	l mm	SW mm	ød mm	sec	Nm
AE069323-07	AE079323-07	1 1/4"	32	196	160	140	110	23	52	32	25	50
AE069323-08	AE079323-08	1 1/2"	40	198	160	140	120	25	59	38	25	50
AE069323-09	AE079323-09	2"	50	205	160	140	150	26	72	50	25	50
AE099323-10	AE109323-10	2 1/2"	65	259	197	145	190	35	87	63,5	30	100
AE099323-11	AE109323-11	3"	80	261	197	145	220	35	102	76	30	100
AE119323-12	AE129323-12	4"	100	336	255	182	270	38	132	100	30	200