

### Stainless steel

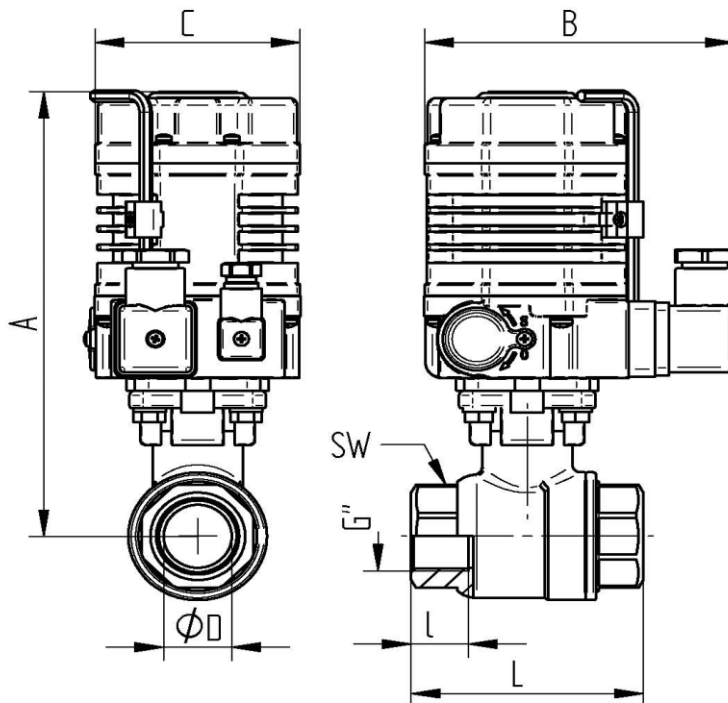
#### TECHNICAL DATA BALL VALVE:

Construction:	2-way full bore ball valve
Design:	2-part design
Connection end:	Thread acc.to DIN EN ISO 228-1
Body:	Stainless steel 1.4408
Screw-in sleeve:	Stainless steel 1.4408
Ball:	Stainless steel 1.4401
Stem:	Stainless steel 1.4401 Blow-out proof
Ball seal:	PTFE TFM1600
Stem seal:	PTFE   FKM O-ring
Actuator connection:	Acc.to DIN EN ISO 5211 [direct assembly]
Medium temperature:	-20°C up to max. +180°C, pressure dependent
Medium nominal pressure:	Max. 63 bar temperature-dependent

#### TECHNICAL DATA ACTUATOR

Functionality :	*OPEN* * CLOSE
Control voltage :	AE01: 230V AC 50/60 Hz. AE02: 24V DC
Power consumption :	AE01: 6 W AE02: 8 W
Operating temperature :	- 25°C up to max. + 55°C
Operating time :	approx. 15 sec. for 90° at 18 Nm
Angle of rotation :	set 90° for ball valves max. 360°
Torque max :	18 Nm
Protection class :	IP 64
Electrical connection :	1 external plug for voltage 1 external plug for signal
Limit switch :	2 pieces for 90° rotation 2 pieces for feedback *Open* *Close*
Position indicator:	optical
Actuator connection:	Acc.to DIN EN ISO 5211 [direct assembly]
Star:	F03 F04 F05 square 9x9 11x11
Housing cover:	Aluminium alloy coated
Manual override:	Allen key

### Connecting thread female/female



Item No. 230V 50 Hz.	Item No. 24V DC	G"	øDN	A mm	B mm	C mm	L mm	I mm	øD mm	SW mm
AE019650-02	AE029650-02	1/4"	10	163	116	75	67	12	10,6	27
AE019650-03	AE029650-03	3/8"	12	163	116	75	67	11	12,7	27
AE019650-04	AE029650-04	1/2"	15	163	116	75	67	15	15	27
AE019650-05	AE029650-05	3/4"	20	168	116	75	70,4	17	20	32
AE019650-06	AE029650-06	1"	25	179	116	75	85	19	25	41

Measurements, as well as pictures are non-binding. We reserve ourselves changes according to the state of the technology

WESA-Armaturen GmbH \* 73650 Winterbach \* Spanninger Straße 5 \* Telefon: +49 (0) 7181 404-0 · Telefax: +49 (0) 7181 404-33

www.wesa-armaturen.de

e-mail : info@wesa-armaturen.de