

### Brass

#### TECHNICAL DATA BALL VALVE:

temperature range : -20°C up to +130°C, pressure-dependent  
 temperature water: 0°C up to max. + 65°C  
 pressure range : max. PN 63 bar, compressed air max. 20 bar  
**drinking water PN10**  
 vacuum-tight: 0,01 mbar  
 body material : Hot pressed brass, nickel plated-CW 617 N  
 ball : Hot pressed brass, chromed-CW 617 N  
           with self-cleaning system  
 ball seals : PTFE  
 stem : Hot pressed brass-CW 617 N  
 stem seals : PTFE

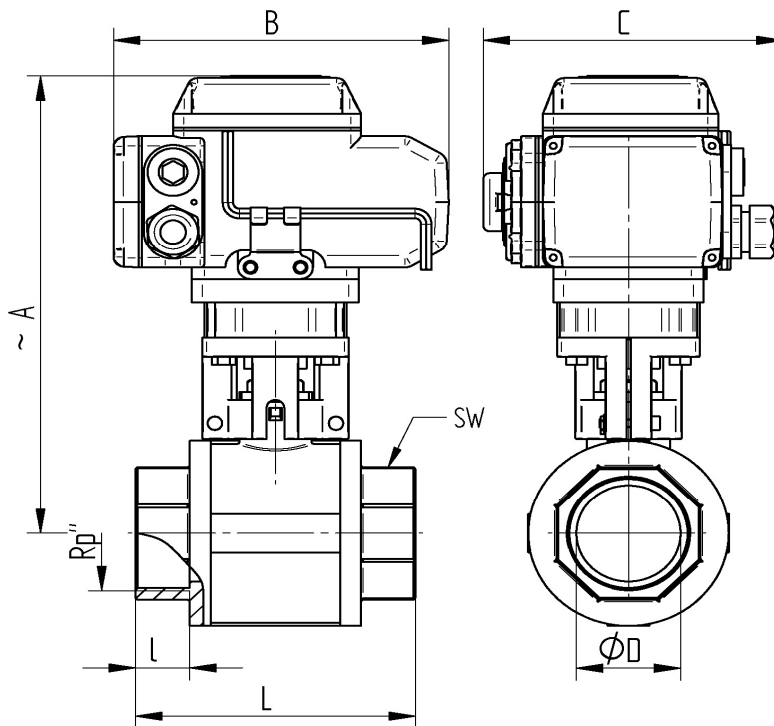
**Licensing:** DIN-DVGW-permissance for drinking water  
 according to DIN EN 13828 and W570



#### TECHNICAL DATA ACTUATOR

Functionality : \*Open\* \*Close\*  
 Control voltage : 230 V AC 50/60 Hz; 24 V DC  
 Operating temperature: - 25° C up to + 55 ° C  
 Turning angle: opposed to 90 ° for ball valve max. 270 °  
 Protective kind: IP 67  
 Elektr. connection: 1 M20 Screw connection: Voltage supply  
                           1 M20 Screw connection: Position  
                           feedback signal  
 Limit switches: 2 piece for 90° rotation  
                           2 piece for feedback \*Open\* \*Close\*  
 Manual override: Allen key  
 Housing | cover: Aluminium alloy coated  
**Junction**  
 ISO-Connection: according to DIN ISO 5211  
 Position indicator: optical

### Connecting thread female/female



Art.Nr. 230V 50 Hz.	Art. Nr. 24V DC	Rp"	øD mm	A mm	B mm	C mm	L mm	l mm	SW mm	AE(Nm)	t(sec)
AE040852-07	AE050852-07	1 1/4"	32	216	160	140	103	22	50	30	12
AE040852-08	AE050852-08	1 1/2"	40	223	160	140	114	22	55	30	12
AE060852-09	AE070852-09	2"	50	236	160	140	134	26	69	50	25