

Brass

TECHNICAL DATA BALL VALVE:

temperature range : -20°C up to +130°C, pressure-dependent
 temperature water: 0°C up to max. + 65°C
 pressure range : max. PN 63 bar, compressed air max. 20 bar
drinking water PN10
 vacuum-tight: 0,01 mbar
 body material : Hot pressed brass, nickel plated-CW 617 N
 ball : Hot pressed brass, chromed-CW 617 N
 with self-cleaning system
 ball seals : PTFE
 stem : Hot pressed brass-CW 617 N
 stem seals : PTFE

Licensing: DIN-DVGW-permissance for drinking water
 according to DIN EN 13828 and W570



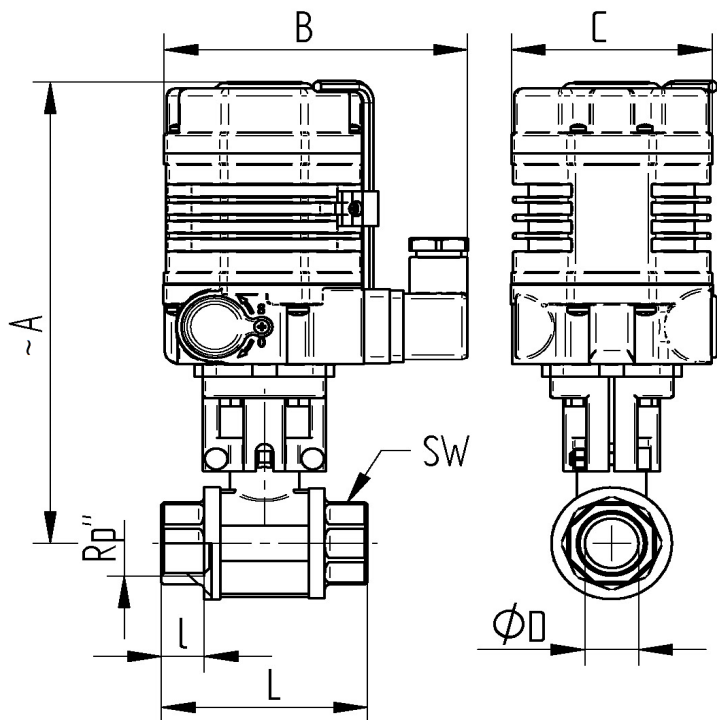
TECHNICAL DATA ACTUATOR

Functionality : *Open* *Close*
 Control voltage : AE 01 : 230V AC 50/60 Hz.
 AE 02 : 24V DC
 power drain: AE 01: 6 W
 AE 02: 8 W
 Operating temperature: - 25°C up to + 55°C
 manipulating time: 15s for 90° at 18 Nm
 Rotary corner : opposed to 90 ° for ball valve max. 360 °
 Torque max. : 18 Nm
 Protective kind: IP 64
 Elektr. connection: 1 connector: voltage supply
 1 connector: position feedback signal
 position switch: 2 piece for 90° rotation
 2 piece for feedback *Open* *Close*

Junction

ISO-Connection: according to DIN ISO 5211
 F 03/04/05 square 9x9/ 11x11
 Position indicator: optical

Connecting thread female/female



Art.Nr. 230V 50 Hz.	Art. Nr. 24V DC	Rp"	øDN mm	A mm	B mm	C mm	L mm	l mm	SW mm
AE010852-03	AE020852-03	3/8"	10	170	116	75	55	12	22
AE010852-04	AE020852-04	1/2"	15	173	116	75	69	14	27
AE010852-05	AE020852-05	3/4"	20	185	116	75	77	16	34
AE010852-06	AE020852-06	1"	25	187	116	75	89	19	40