

Brass

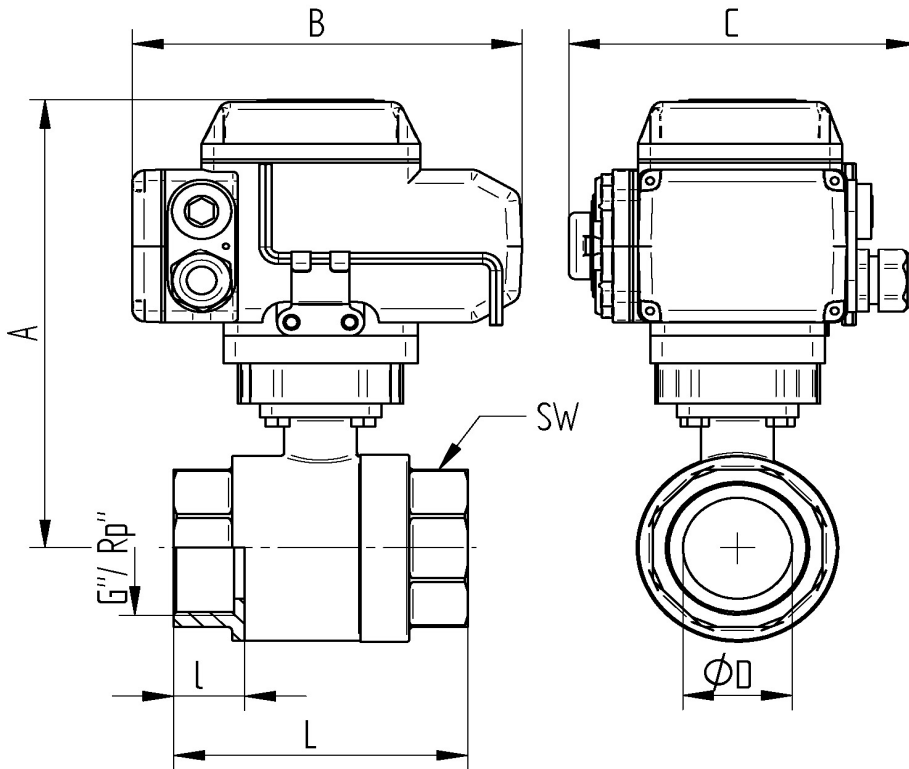
TECHNICAL DATA BALL VALVE:

temperature range :	- 20°C up to max. + 120°C, pressure dependent
pressure range :	max. PN 40 bar
connecting thread :	DIN 2999 - ISO 7/1 Rp (4") DIN EN ISO 228-1 (1/4" - 3")
actuator connection :	according to DIN EN ISO 5211
body material	CW 617 N, nickel plated
ball :	CW 617 N, chrome plated
ball seals :	PTFE / Viton
stem :	CW 614 N
stem seals :	PTFE / Viton

TECHNICAL DATA ACTUATOR

Functionality :	*Open* *Close*
Control voltage :	230 V AC 50/60 Hz; 24 V DC
Operating temperature:	- 25° C up to + 55 ° C
Turning angle:	opposed to 90 ° for ball valve max. 270 °
Protective kind:	IP 67
Elektr. connection:	1 M20 Screw connection: Voltage supply 1 M20 Screw connection: Position feedback signal
Limit switches:	2 piece for 90° rotation 2 piece for feedback *Open* *Close*
Manual override:	Allen key
Housing cover:	Aluminium alloy coated
Junction	
ISO-Connection:	according to DIN ISO 5211
Position indicator:	optical

Connecting thread female/female



Art. Nr. 230 V	Art. Nr. 24 V	G"/Rp"	øD mm	L mm	l mm	A mm	B mm	C mm	SW mm
AE040767-08	AE050767-08	G 1 1/2"	38	103	22	184	160	140	54
AE040767-09	AE050767-09	G 2"	45	121	25	191	160	140	70
AE060767-10	AE070767-10	G 2 1/2"	62	165	34	217	160	140	85
AE060767-11	AE070767-11	G 3"	76	188	37	227	160	140	100
AE090767-12	AE100767-12	Rp 4"	100	225	39	275	197	145	130