

Brass

TECHNICAL DATA BALL VALVE:

Construction:	2-way ball valve
Design:	2-part design full bore
Connection end:	Long thread acc. to DIN EN 10226-1
Actuator connection:	DIN EN ISO 5211 [direct installation]
Medium temperature:	-20°C up to +120°C pressure-dependent
Nominal pressure:	Max. 40 bar temperature-dependent
Body:	Brass CW617N nickel-plated
Screw-in socket:	Brass CW617N nickel-plated
Ball:	Brass CW617N hard chrome plated
Ball seal:	PTFE FKM
Stem:	Brass CW614N nickel-plated
Stem seal:	PTFE FKM

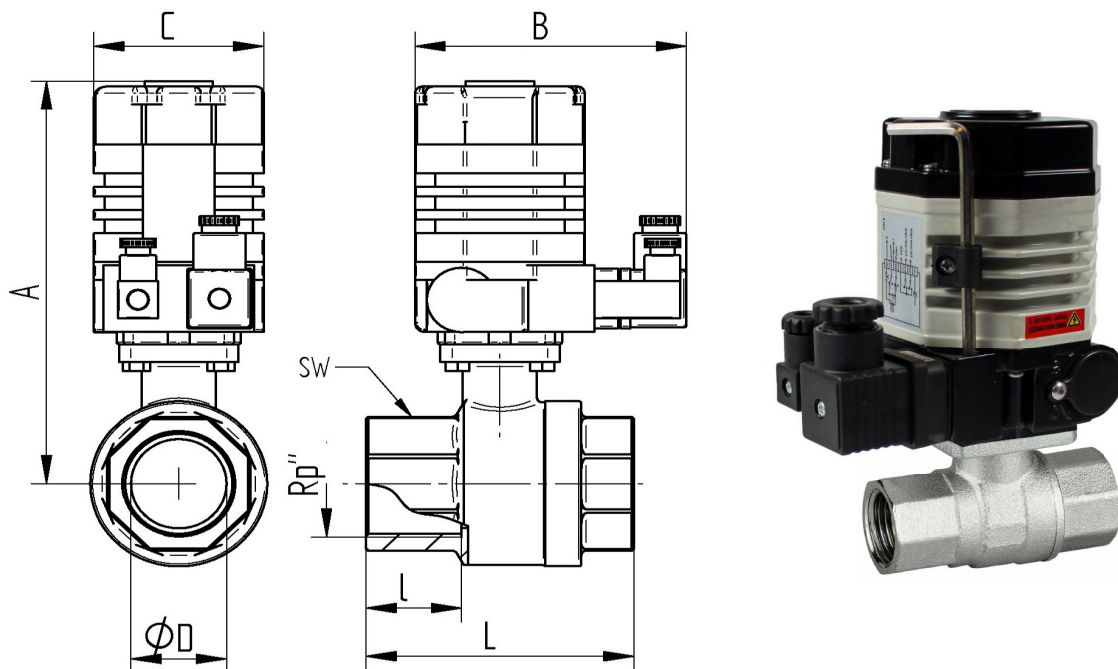
TECHNICAL DATA ACTUATOR

Functionality :	*Open* *Close*
Control voltage :	AE 01 : 230V AC 50/60 Hz. AE 02 : 24V DC
power drain:	AE 01: 6 W AE 02: 8 W
Operating temperature:	- 25°C up to + 55°C
manipulating time:	15s for 90° at 18 Nm
Rotary corner :	opposed to 90 ° for ball valve max. 360 °
Torque max. :	18 Nm
Protective kind:	IP 64
Elektr. connection:	1 connector: voltage supply 1 connector: position feedback signal
position switch:	2 piece for 90° rotation 2 piece for feedback *Open* *Close*

Junction

ISO-Connection:	according to DIN ISO 5211 F 03/04/05 square 9x9/ 11x11
Position indicator:	optical

Connecting thread female/female



Art.Nr. 230V	Art. Nr. 24V	Rp"	øDN mm	A mm	B mm	C mm	L mm	l mm	SW mm
AE010768-04	AE020768-04	1/2"	15	148	116	75	62	15	25
AE010768-05	AE020768-05	3/4"	20	151	116	75	72	16	31
AE010768-06	AE020768-06	1"	25	155	116	75	82	17	38
AE010768-07	AE020768-07	1 1/4"	32	160	116	75	94	19	48