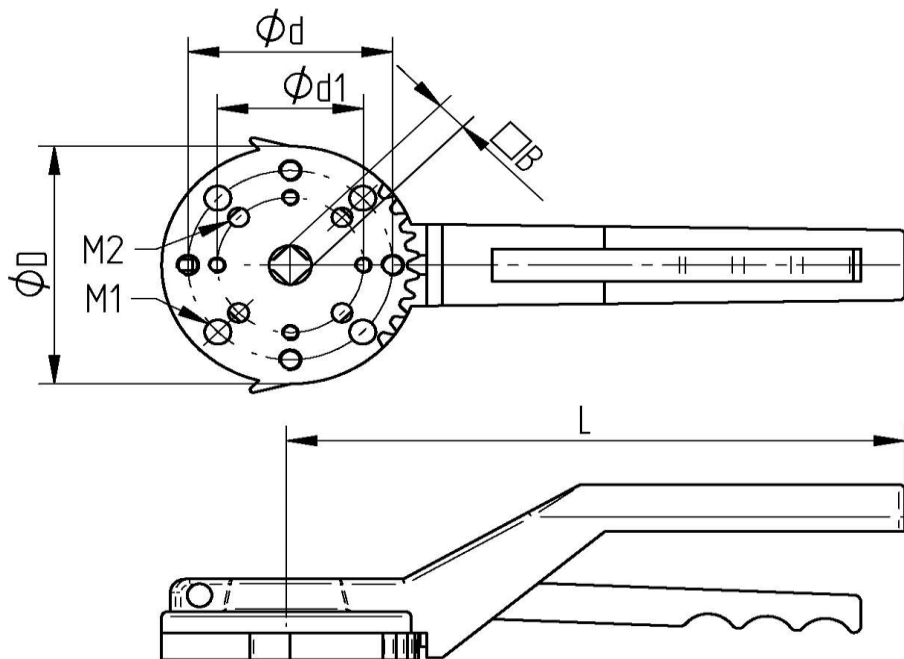


### TECHNICAL DATA:

Lever:	aluminium black covered
Spring:	steel
ISO-connection :	nach DIN ISO 5211
Inlay with logo:	plastic blue



Art.Nr.	DN	L	$\phi D$	$\phi d$	$\phi d1$	$B$	$\phi ISO$	M1	M2
94005100-89101112	DN40-DN100	210	88	70	50	11	F05/F07	M8	M6
94005100-1314	DN125-DN150	210	88	70	50	14	F05/F07	M8	M6
94005100-15	DN200	340	125	102	70	17	F07/F10	M10	M8