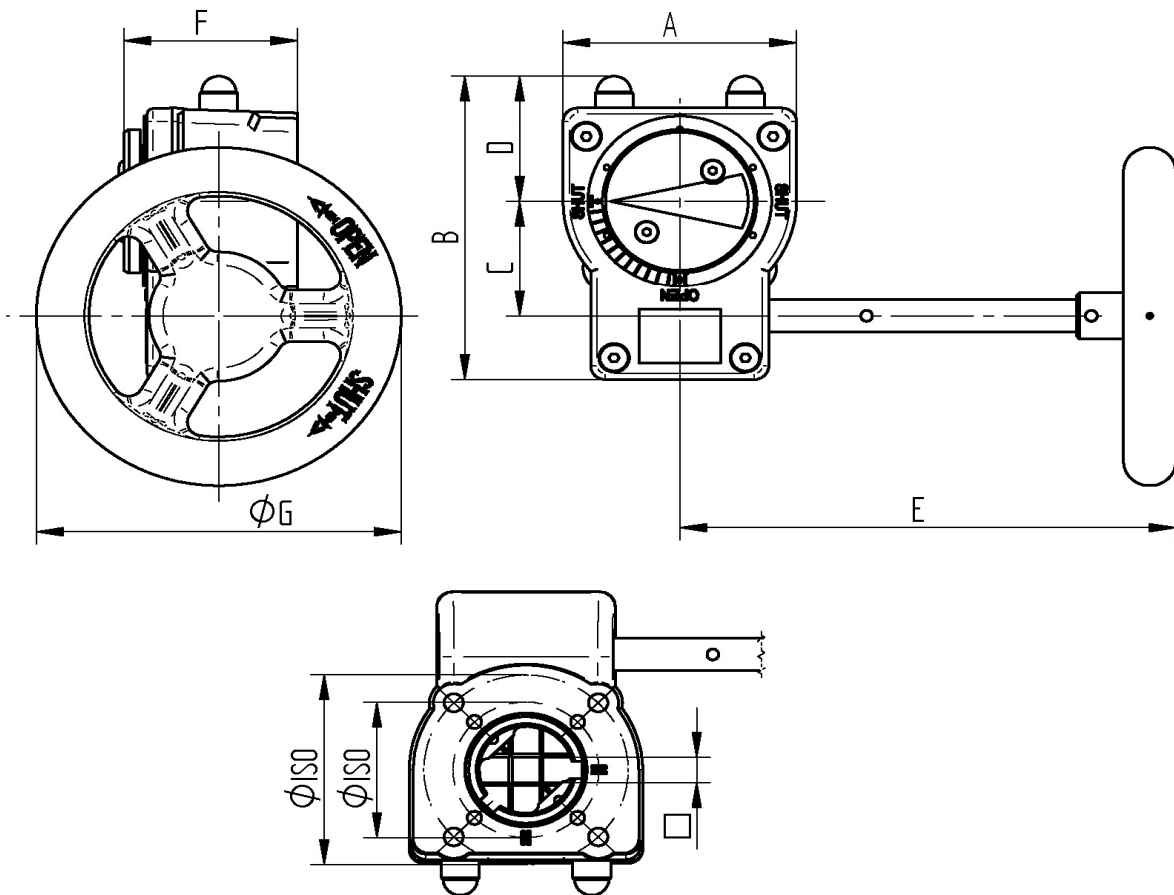


TECHNICAL DATA:

Temperature range :	-20°C to max. +120°C
Protective kind:	IP 65
Body material :	Aluminium black coated
Coverplate:	Aluminium black coated
Shaft:	Protected Steel
Worm:	Carbon Steel

- Various PCDs on gearcase according to ISO 5211
- removable stem drive inserts
- various inserts to suit all valve stem



Art.Nr.	A mm	B mm	C mm	D mm	E mm	F mm	ØG mm	ØISO	□	weight (g)
49899136	80	114	42,5	48	170	59	125	F05/F07	14	800
49899137	100	131	50	56	199	67	200	F07/F10	17	900
49899138	100	131	50	56	210	67	250	F07/F10	22	1550