

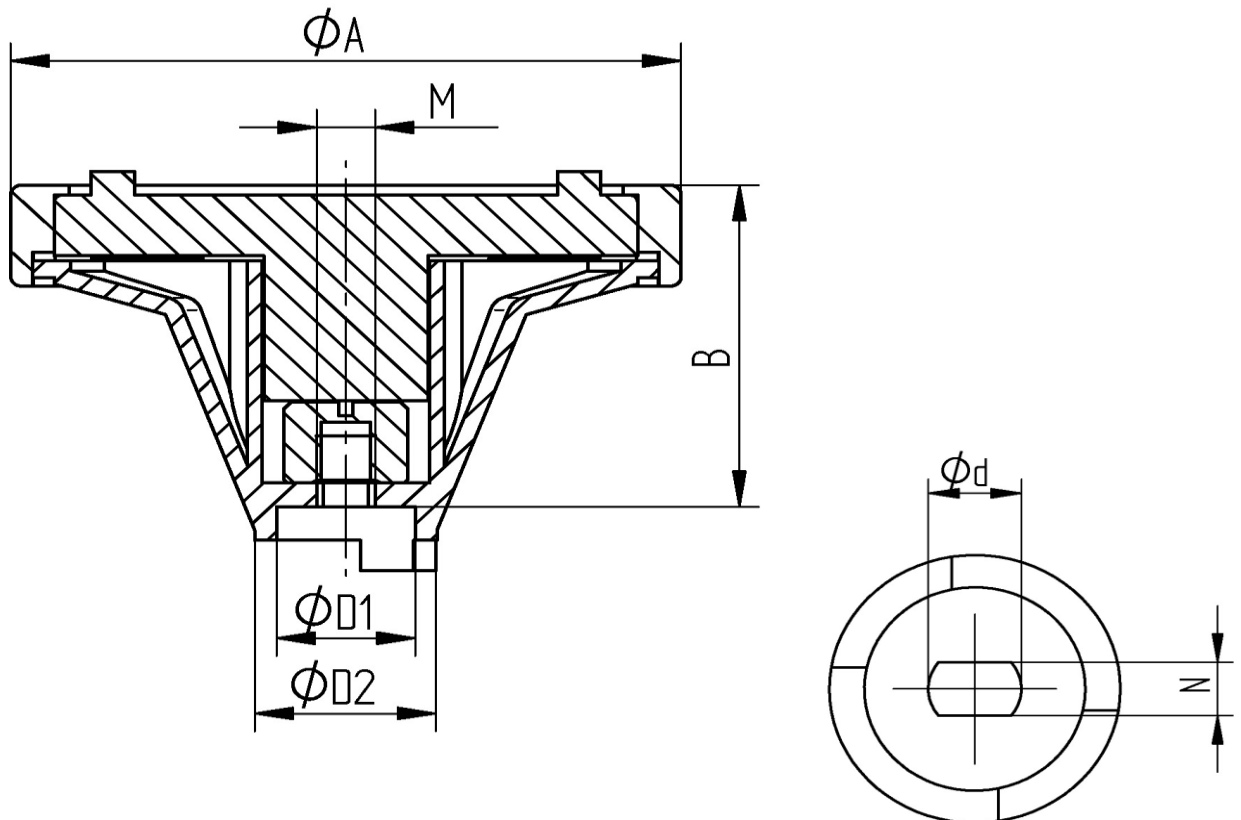
TECHNICAL DATA:

Handwheel base part:	zinc pressure casting, black painted
levercoating:	plastic blue or red
Zhermometer:	plastic white
Scale:	0°C up to +120°C
Temperature application:	0°C up to +120°C
Error limit:	Class 2 [± 6°C]



Suitable for Art. Nr.:

600, 606, 602, 604, 605, 610, 608, 616, 612, 614, 620, 622, 626, 680, 681, 682, 712, 722, 708, 758, 750, 756, 766, 786, 757, 759, 1081, 1083, 1086, 1088, 9350, 9360, 9370, 9380, 9361, 9371, 9381



Art.Nr.	Zoll	M	N x ød	A	B	øD1	øD2	weight (g)
98000690-05	3/4"	M8	5x8,1	92	48	19	25	300
98000690-06	1"	M10	6x10,1	92	50	22,5	32,5	340
98000690-78	1 1/4" - 1 1/2"	M12	8x12,1	92	49	26	36	335
98000690-09	2"	M14	8x14,1	92	52	30,5	40	375