

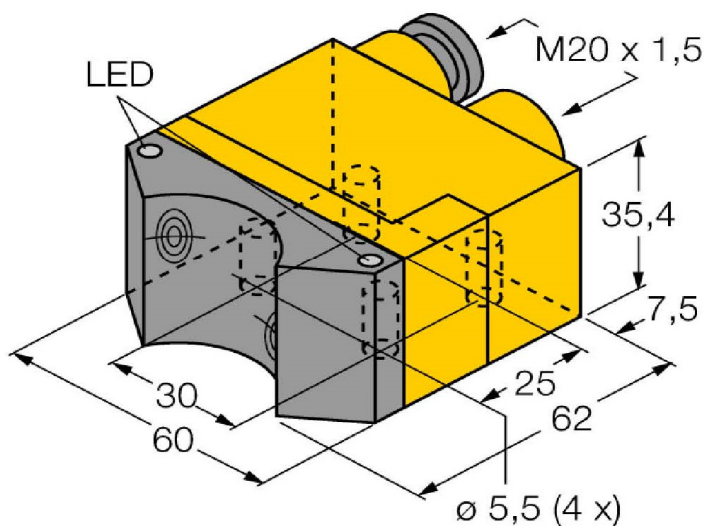
## TECHNICAL DATA

Rated operating distance Sn:	4 mm
Mounting condition:	non-flush
Ambient temperature:	-25...70°C
Operating voltage:	10... 65 VDC
DC rated operational current:	<=200 mA
Short-circuit protection:	yes/ cyclic
Output function:	4-wire, NO contact, PNP
Valve control:	<= 2,5 A / <= 250 V
Switching frequency:	<= 0.05 kHz
Design:	dual sensor for valve monitoring, DSU35
Dimensions:	62 x 60 x 35 mm
Housing material:	Plastic, PP-GF30, gelb
Material active face:	Plastic, PP-GF30, schwarz
Connection:	Terminal chamber
Clamping ability:	<= 2.5 mm <sup>2</sup>
:Vibration resistance	55 Hz (1 mm)
Shock resistance:	30 g (11 ms)
Protection class:	IP67
Switching state:	2 x LEDs yellow / red
Included in scope of supply:	2 cable glands (black), 1 blanking plug

- Rectangular, housing DSU35
- Plastic, PP-GF30-VO
- Two outputs for monitoring the position of rotary actuators
- Mounting on all standard actuators
- 2 x NO contacts, PNP output
- DC 4-wire, 10...65 VDC
- Terminal chamber

## Functional principle

Inductive sensors detect metal objects contactless and wear-free. Dual sensors are especially designed for position detection in rotary actuators. They combine the reliability of non-contact inductive sensors with the flexibility of a modular housing system.



## Wiring diagram

