

TECHNICAL DATA

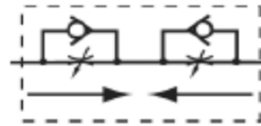
Port SIZE :	ø5 mm
Max: air flow:	650 l/min.
Operating pressure:	0,5 -10 bar
Operating temperature:	-10°C up to +70°C
Housing:	Aluminium
Interior parts:	Brass
weight:	0,180 kg

Design and function:

For 3/2-way and 5/2-way valves
Operated manually with a screw-driver.

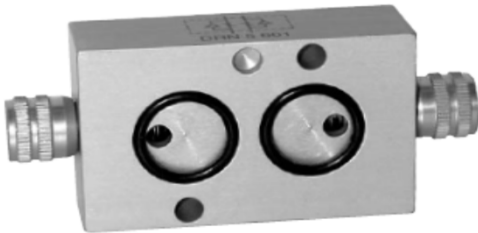
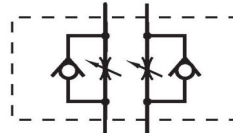
49892093

Block form flow regulator as intermediate plate, interface acc. To NAMUR standard, for 3/2-way valves with exhaust air recirculation.

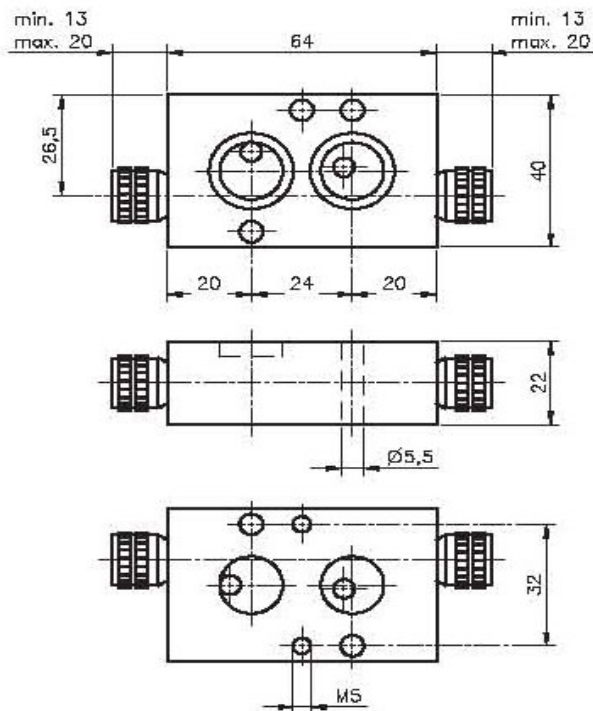


49892087

Block form flow regulator as intermediate plate, interface acc. To NAMUR standard, for 5/2-way valves with exhaust air recirculation.



49892093



49892087

