

inductive proximity switch 3-wire-PNP

TECHNICAL DATA

Producer switch : IFM
 Switch type : IF5249
 Voltage : 10-36+V DC
 Current: 150mA (24V)
 Frequency : 1500Hz.
 No-load supply current : 15mA
 Output Indicator : LED yellow
 Enclosure switch IP67
 Temperature : -25°C up to max. +80°C
 Switch distance 4 mm, not shortly insertable

| Art. Nr. | Shaft height | |
|----------|--------------|---------|
| 49894014 | 20 | |
| 49894015 | 30 | |
| 49894016 | 20 | |
| 49894017 | 30 | 1 Cable |
| 49894018 | 20 | |
| 49894019 | 30 | 2 Cable |

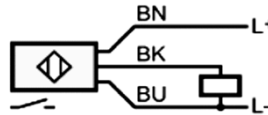
DESCRIPTION BOX

- Compact and flexible limit switch box made of polyamide PA6
- Adjustable stainless steel mounting bracket MBHV (AISI 304) for simple assembly
Hole spacings: 80x30mm and 130x30mm (optional: 50x25mm), Shaft heights: 20, 30, 40 and 50mm
- Enclosure IP67 according to DIN EN 60529
- Sealings TPE and NBR, Screws AISI 304, Shaft stainless steel AISI 303
- Cable gland M20x1,5 black (for cable Ø 6-12mm)
- SIL Level SIL 1-3 (IEC61508:2010)

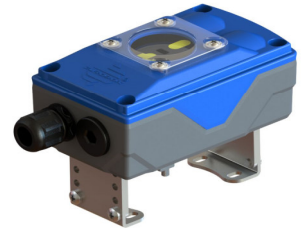
Wiring

Core colours

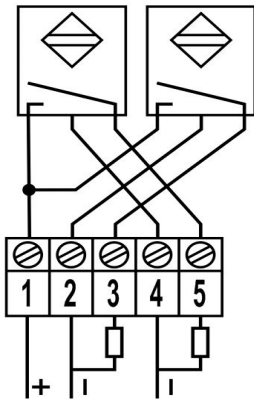
BN brown
 BU blue
 BK black



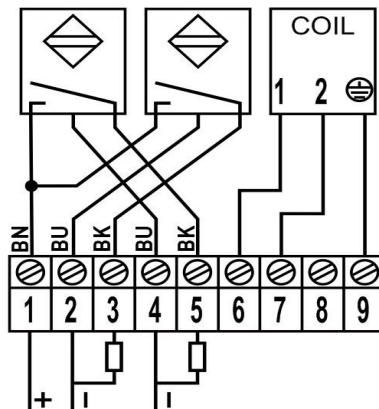
Switch type



Connection (0 cable)



Connection (0-1 cable)



Connection (2 cable)

