

## inductive proximity switch 3-wire-PNP

### TECHNICAL DATA

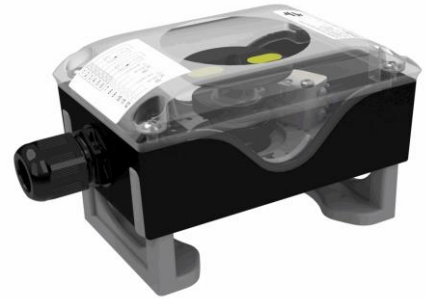
Producer switch :	IFM
Switch type :	IS5001 (3-wire)
Voltage :	10-30V DC
Current :	0-200mA
Frequency :	800Hz.
No-load supply current :	15mA (24V)
Output Indicator :	LED yellow
Enclosure switch :	IP67
Temperature :	-25°C up to max. +80°C
SIL Level:	SIL 1-3 (IEC 61508:2010)

### Description:

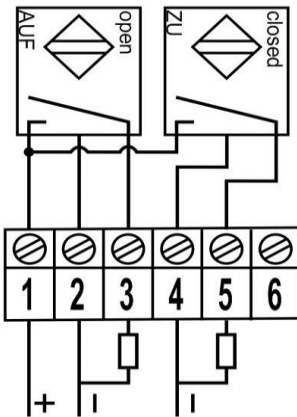
- Compact final counter box polyamide PA6 black, according to VDI/VDE 3845
- Protective kind case IP67 according to DIN EN 60529
- Cable screw connection black, M20x1,5 (for cable ø 6-12 mm)
- Assembly bridges height-adjustably and wide-adjustably from PA6 with 30% of fiberglass portion
- Seals EPDM and NBR, screws high-grade steel 1.4301
- Shaft Plyamid PA6 black

Art. Nr.	Shaft height	
49894007	20 / 30	
49894009	20 / 30	1 Cable
49894012	20 / 30	2 Cable

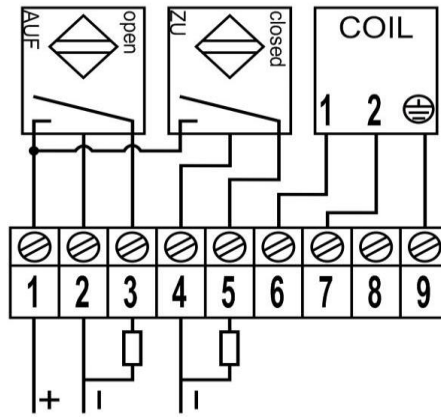
### Switch type



### Connection (0 cable)



### Connection (2 cable)



### Connection (2 cable)

