

TECHNICAL DATA

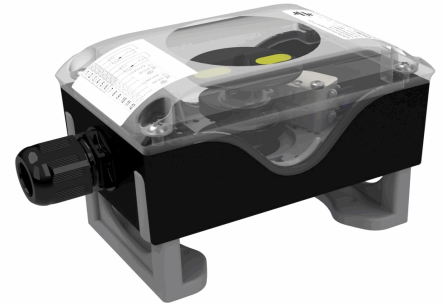
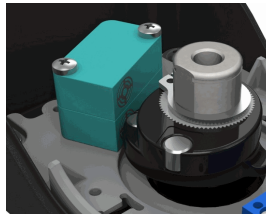
Producer switch :	P+F
Switch type :	NBB2-V3-E2 (3-wire)
Voltage :	10-30V DC
Current	100mA
Frequency :	1000Hz.
No-load supply current :	15mA
Output Indicator :	LED yellow
Enclosure switch	IP67
Temperature :	-25°C up to max. +80°C

Description:

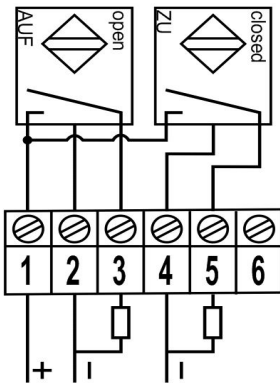
- Compact final counter box polyamide PA6 black, according to VDI/VDE 3845
- Protective kind case IP67 according to DIN EN 60529
- Cable screw connection black, M20x1,5 (for cable ø 6-12 mm)
- Assembly bridges height-adjustably and wide-adjustably from PA6 with 30% of fiberglass portion
- Seals EPDM and NBR, screws high-grade steel 1.4301
- Shaft Polyamid PA6 black
- **SIL Level SIL 1-3 (IEC61508:2010)**

Art. Nr.	Shaft height	
49894001	20	
49894002	30	
49894003	20	1 Cable
49894004	30	
49894005	20	2 Cable
49894006	30	

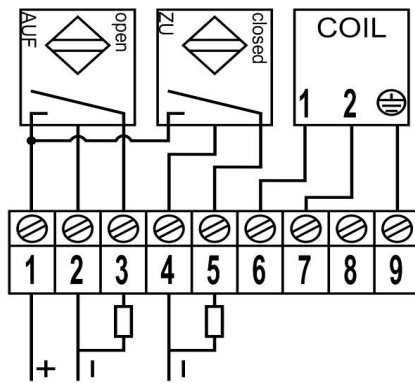
Switch type



Connection (0 cable)



Connection (1 cable)



Connection (2 cable)

